

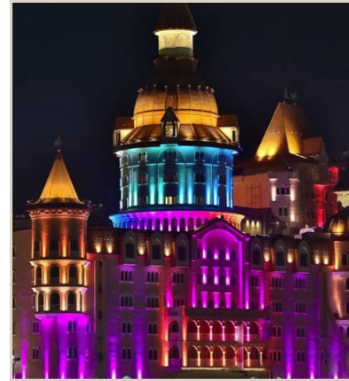


Project Name:	Type:
Product Code:	Date:



SPOT 7

The Vanilla Spot 7 is an alternative multi-chip LED configuration with distinctive aesthetics, using quad-color LEDs for superior color mixing directly at the lens. The efficient combination of powerful RGB+W (3000K or 4000K) multi-chip LEDs and unparallel optical lenses, deliver seamless light distribution and smooth color transitioning. Featuring a lightweight and compact body, printed front glass and no visible screws, the Vanilla Spot 7 offers a variety of finish options. Along with this a variety of accessories are available to further increase the versatility of the product. (IP67)

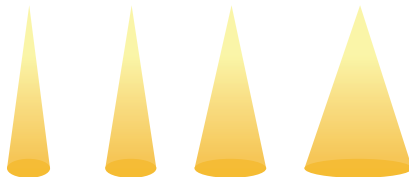


PERFORMANCE

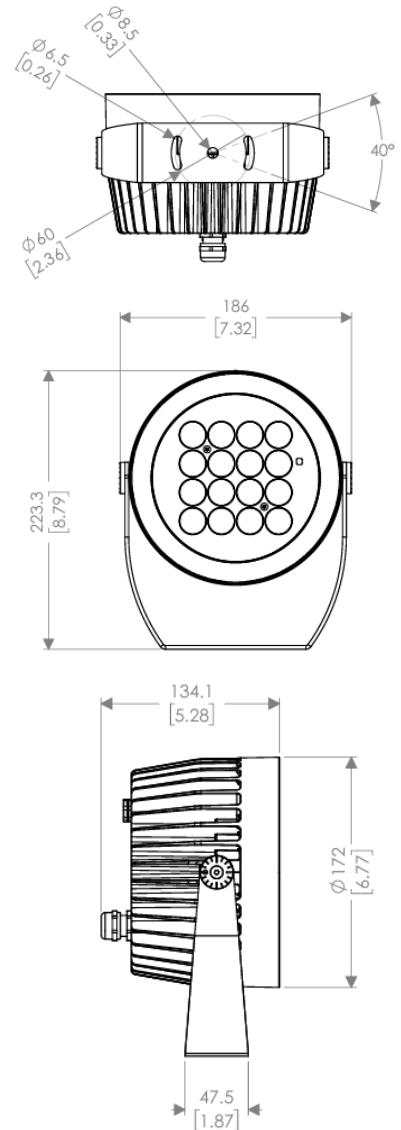
	LED
CCT:	3000K / 4000K
LUMENS:	1643 Lm
WATTAGE:	38 WATTS
POWER (A/V):	0.18A@230V / 38W MAX
POWER:	120-277V
IP RATING:	IP67
IK RATING:	IK07
LED LIFE:	50,000 hours
OPERATING TEMP:	-40°C-50°C (-40°F-122°F)
SDCM:	2 STEP
CCT:	3000K 4000K



OPTICS / BEAM SPREAD: 9° 13° 23° 50°



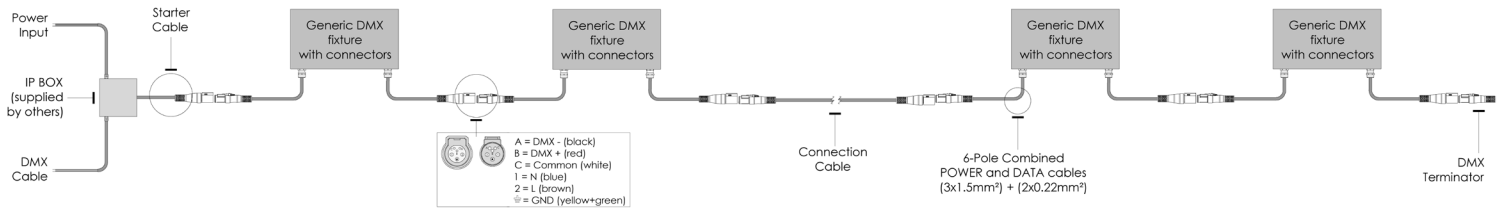
KEY DIMENSIONS



ORDER INFORMATION

Order Code							
MAKE	PROFILE	COLOR TEMP	OPTICS	FINISHES	DIMMING	CONNECTION TYPE	ACCESSORIES
VAN	SP5345	RGBW3	SP 9°	BK Black	DMX	Power In, DMX In, DMX Out	POLAR
		RGBW4	NA 13°	AN Anthracite		Hybrid Cables with Connectors	ANTI-SALINE
			ME 23°	GR Grey		Hybrid Cables without Connectors	3G FIXING BRACKET
			WI 50°	WH White			SNOOT
							VISOR
							REMOTE

WIRING DIAGRAM



- IP BOX - Max 10A (ampere) per daisy chain;
- Max 32 fixture per daisy chain;
- The total DMX LINE length must not exceed 1000 ft;