

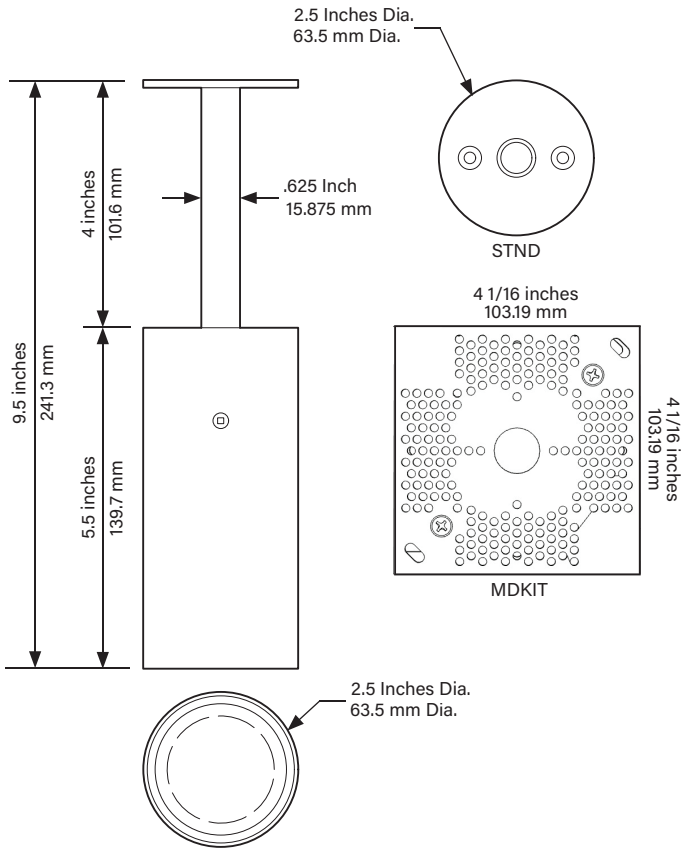
BRASS ADJUSTABLE CYLINDER

The Vanilla brass adjustable cylinder features a clean machined body which showcases the quality of its craftsmanship. The cylinder provides high visual comfort thanks to the 1 inch regress of the LED -engine. This helps to control glare and maintain a quiet elegance in any space or setting its installed. The fixture has a brass swivel stem for optimal adjustability, this allows the fixture to be tiltable 90° and rotated 360°.

The Vanilla brass adjustable cylinder is provided with a 2.185 inch stem standard, but custom stem lengths are available upon request. The fixture is mounted to a minimal backplate 2.5 inch in diameter. Optics are field swappable between the spot (25°) and flood (60°) optics provided. It also features a clean beam edge suitable for lighting high quality residential and hospitality spaces.



DIMENSIONS



LIGHT SOURCE AND PERFORMANCE

SOURCE:	LED
SDCM:	2 STEP
CCT:	2700K/3000K
CRI:	90 CRI
WATTAGE:	11 WATTS
LUMEN PERF:	130 LM/W
LUMENS:	660 lms (2700K) 680 lms (3000K)
POWER:	350 mA

BRASS ADJUSTABLE CYLINDER

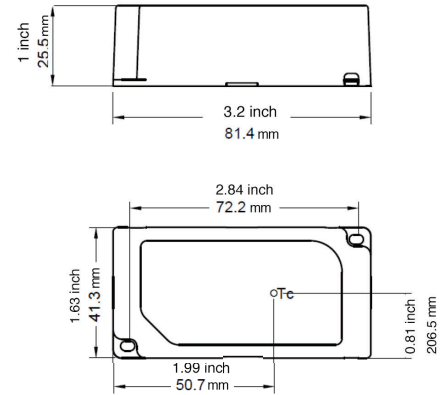
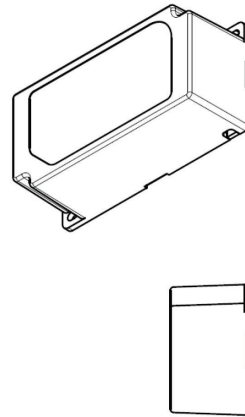
ORDER CODE

VAN	PROFILE	STEM LENGTH (INCH)	TILT ANGLE	CRI	COLOR TEMP	OPTICS	FINISHES	DRIVER**	INSTALLATION
	BRMP	4 4" (Standard) XX Custom length*	25 25° Tilt 90 90° Tilt	90	27 2700K 30 3000K	S 25° F 60°	PB Polished Brass AB Antiqued Brass BB Blackened Brass	U ELV/0-10V	STND Non-Drywall*** MDKIT Drywall****
*Other stem lengths available upon request, 36 inches maximum stem length									
** Remote driver up to 30 ft from install									
*** For non-drywall mounting use STND, installation will have countersunk screws in mounting plate									
**** Drywall Installation requires mudkit									

DRIVER SPECIFICATIONS

UL CLASS:	CLASS 2 OUTPUT
DIMENSIONS:	81.4mm X 41.3mm X 25.5mm 3.2" X 1.63" X 1"
INPUT VOLTAGE:	120/220-240/277Vac (50/60 Hz)
OUTPUT CURRENT:	350mA
OUTPUT POWER:	15 WATTS
DIMMING PROTOCOL:	ELV DIMMING or 0-10V
DIMMING RANGE:	1-100%
NOTE: One fixture per driver only	

DRIVER DIMENSIONS



DIMMER COMPATIBILITY LIST

BRAND	MODEL	DIMMING % (MIN)	DIMMING % (MAX)
LUTRON	DiVA-DV-600P	1%	96.7%
LUTRON	DIVA CL-DVCL-153P	1%	95.5%
LUTRON	SKYLARK-SLV-600P	1%	96.0%
LUTRON	MAESTRO-MACL-153M	1%	92.2%
LUTRON	CASETA-PD-5NE	1%	76.0%
LUTRON	RRD-6CL	1%	92.6%
LEVITON	6674-P	1%	96.8%
LEVITON	RNL06	1%	
LUTRON	NTLV-600-277	1%	100.0%
LUTRON	NTLV-1000-277	1%	100.0%

FINISH OPTIONS

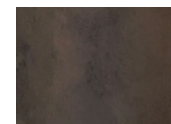
POLISHED BRASS



ANTIQUED BRASS



BLACKENED BRASS



NOTE: list outlines 120/277 volt line dimmers only (60Hz)