



Project Name:	Type:
Product Code:	Date:



### SPOT WALL SMALL

THE VANILLA SPOT WALL is an extremely compact LED luminaire capable of enhancing outdoor ambiances with discretion and elegance through the creation of refined accent lighting effects. Its external power supply unit allows a comfortable installation even in the smallest spaces, as well as the simultaneous management of multiple units. It is the ideal solution for a bright illumination of essential landscape or architectural details in delicate pastel tones or intense white shades. Extremely compact LED luminaire for a bright illumination of essential landscape or architectural details (IP 67).



## PERFORMANCE

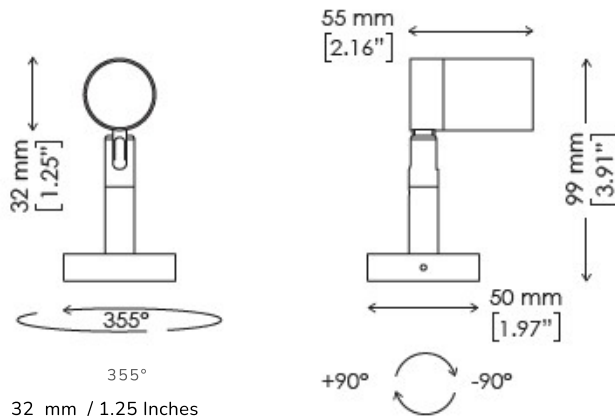
	STATIC WHITE			DYNAMIC WHITE		RGBW
LUMEN PERF:	273 LMS	273 LMS (Spot)		92 LMS		54 LMS
POWER:	900 mA	900 mA (Spot)		300 mA		300 mA
WATTAGE:	3 W	3 W (Spot)		3.5 W		3.5 W
CCT:	2700K	3000K	4000K	3000K — 6500K		

### ALL

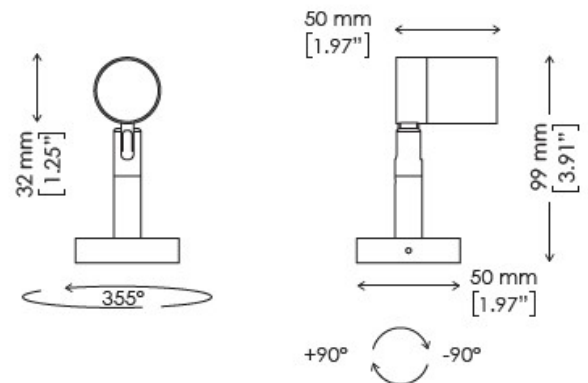
LIGHT:	LED Module	CONTROL SYSTEM:	DMX-RDM, ELV, ON-OFF, 0-10V
SOURCE:	LED	OPERATING TEMP:	-40°C to 50°C / (-40°F to 122°F)
SDCM:	2 STEP	MAX OUTPUT:	273 lm / 91 lm/W
CRI:	80 CRI, 90 CRI Optional	RATING	IP 67

## DIMENSIONS

### STATIC WHITE



### RGBW / DYNAMIC WHITE



**FINISHING**



**ORDER INFORMATION**

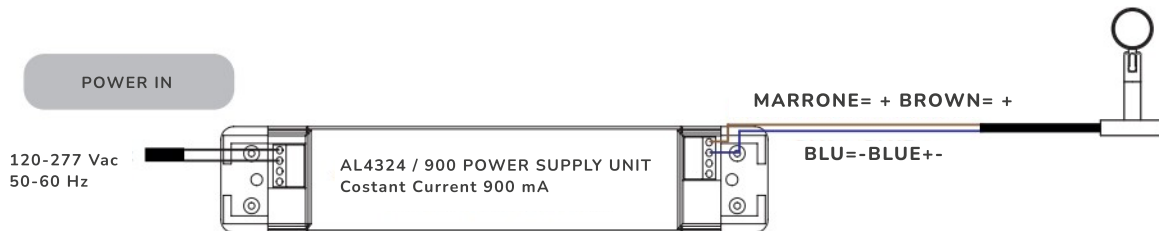
**Order Code**

VAN	PROFILE	COLOR TEMP	OPTICS	FINISH	DIMMING	ACCESORY
VAN	SP5318	27K 2700K	NA 12°*	BO Black RAL	ELV	A Anti-Saline Treatment
		30K 3000K	ME 23°	AO Anthracite RAL	0-10V	S Spike for Ground Fixing
		40K 4000K	WI 43°	GO Grey RAL	others*	R Custom ROD length
		DW 3000-6500K	GO 120° Diffused Glass	WO White RAL		
		RGBBW3 3000K		OO Olive RAL	DMX	
		RGBW4 4000K				

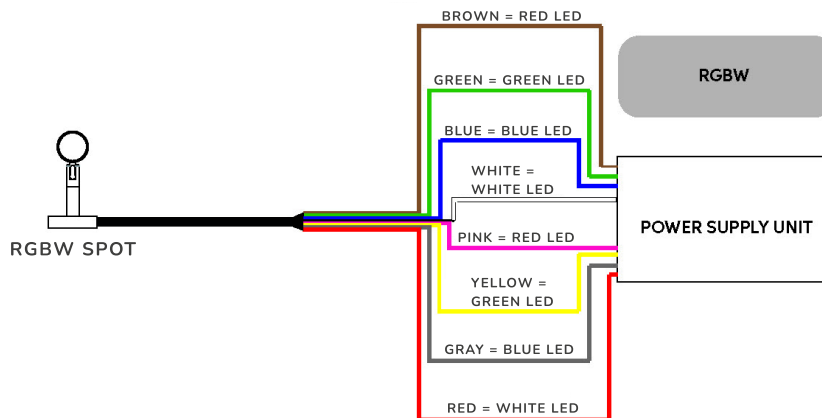
\* 120° optic only available for RGBW and Dynamic White options  
 \*\* 900 mA for Static White options and 300 mA for RGBW and Dynamic White  
 \*\*\* DMX driver/controller required for RGBW and Dynamic White options  
 \*\*\*\* For RGBW DMX Control maximum 4 fixtures per driver

**WIRING DIAGRAM**

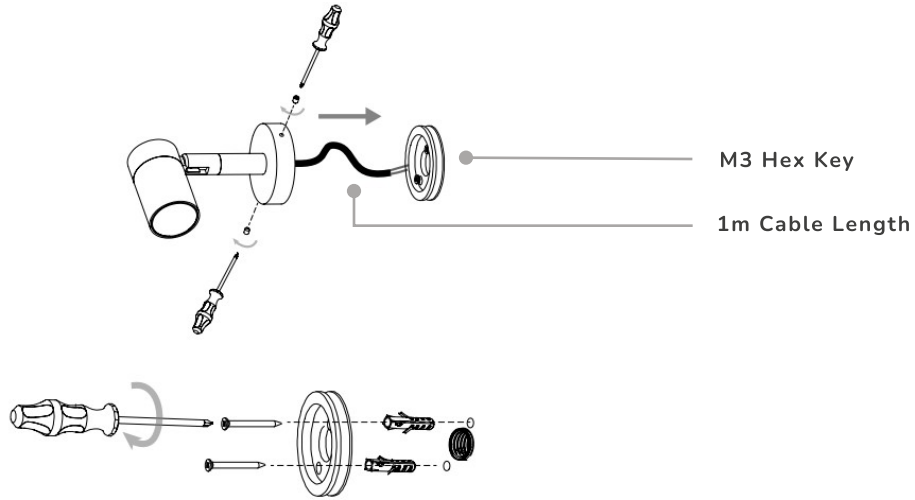
**STATIC AND DYNAMIC WHITE**



**RGBW**



### WALL INSTALLATION DIAGRAM



Imported by the Lighting Group Network (LGN).

<https://www.lightinggroupnetwork.com>

Lighting Group Network is the premier importer of European lighting products. We specialize in tailoring products from around the world to make them compliant with every North American market. From component sourcing, to full listings, Lighting Group Network has the engineering background to bring any manufacturer or product to full local compliance.

IP67 NOT SUITABLE  
FOR UNDERWATER USE

5 YEAR WARRANTY.