

VANILLA 4 INCH ADJUSTABLE DOWNLIGHT

Project Name:	Type:
Product Code:	Date:




Vanilla 4 Inch Adjustable Downlight

The Vanilla product family is a small recessed adjustable downlight providing high visual comfort thanks to a deep recessed LED Engine. Vanilla comes with a modular and tool free LED-engine and optical accessories that are field changeable. Fixture is serviceable through the aperture. The Body is made of high grade Aluminum. The fixture is tilttable vertically 0-32° and rotatable horizontally 355°. Adjustable 32° always inside ceiling level. The fixtures is provided standard with retrofit housing. IC (title 24) housing available as an option for 4 inch version of fixture.





PERFORMANCE

	STATIC WHITE LED	WARM DIM LED
CCT:	2700K / 3000K	1800K - 3000K
CRI:	97 CRI	90 CRI
WATTAGE:	12 WATTS (350 mA)	10 WATTS (350 mA)
LUMENS:	1060 Delivered	998 Delivered
SDMC:	2 Step	2 Step
CRI:	2700K 3000K	1800K — 3000K





SPOT






NARROW FLOOD

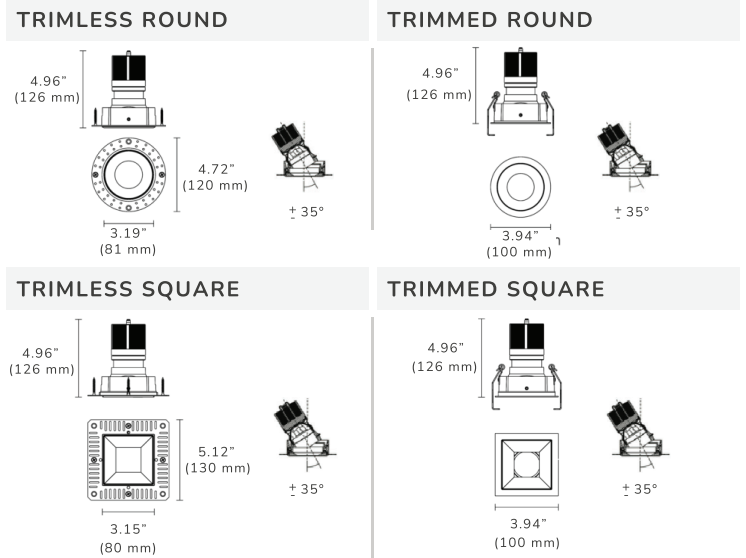




FLOOD



KEY DIMENSIONS

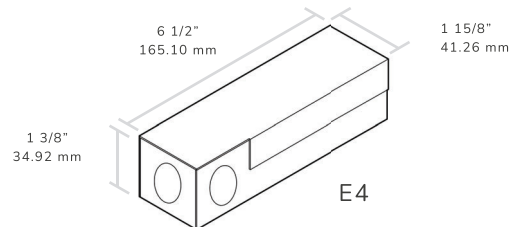


DRIVER SPECIFICATIONS

	STATIC WHITE (E4)	WARM DIM (EW)
DIMMING:	ELV 2 Wire	ELV 2 Wire
LED CLASS:	2 Output	2 Output
AC INPUT	110-277 VAC 0.23 - 0.09A 50/60 HZ	110 - 277 VAC 0.23-0.09A 50/60 Hz
DC OUTPUT:	350mA	350mA
WATTS:	Max 18W	Max 18W

HOUSING SPECIFICATIONS

RETROFIT DRIVE ENCLOSURE SPECS



ELV Standard 2-Wire Dimming



*FOR OTHER DIMMING STYLES CONTACT LGN

TRIM OPTIONS

R4 - ROUND

TRIM TYPE	TL TRIMLESS	TR TRIMMED	FINISH
FX FLAT IP20			 W WHITE
CX CONCAVE IP20			 B BLACK
FH FLAT HEXCELL IP20			 C CUSTOM
FS FLAT SOLITE IP44			

S4 - SQUARE

FX FLAT IP20		
CX CONCAVE IP20		
FH FLAT HEXCELL IP20		
FS FLAT SOLITE IP44		



ORDER INFORMATION

Order Code

VAN	PROFILE	TRIM	TRIM TYPE	FINISH	TEMP	OPTICS	DRIVER	HOUSING
VAN	R4 4" ROUND ADJ. S4 4" SQUARE ADJ.	R-TR4 ROUND TRIMMED	FX FLAT IP20	W WHITE	27-4 2700K	11-4	E4 ELV	RT RETROFIT
		R-TL4 ROUND TRIMLESS	CX CONCAVE - IP20		30-4 3000K	23-4	XX OTHER**	IC IC (TITLE 24)
	S-TR4 SQUARE TRIMMED	S-TL4 SQUARE TRIMLESS	FH FLAT HEXCELL -IP20	C CUSTOM *	WD-4 (1800 K - 3000K)	34-4	EW ELV**	
			FS FLAT SOLITE SHOWER - IP44			20-4		
	CS CONCAVE SOLITE SHOWER -IP44	30-4						
		38-4						
		60-4						

*CUSTOM FINISHES REQUIRE A MINIMUM QUANTITY OF 25 FIXTURES

**OTHER DIMMING OPTIONS AVAILABLE UPON REQUEST

*** IC HOUSING REQUIRED FOR JA8 T24 COMPLIANCE

****CONCAVE SOLITE ONLY AVAILABLE ON ROUND TRIM TYPE

Fixture Components

Housing/Enclosure		<p>Power Source 120 V Connection</p>	<p>Housing Enclosure Options RT - Retrofit Retrofit housing for all other</p>
Driver		<p>Housing/ Enclosure Above ceiling IC housing or Above ceiling RT Retrofit Housing enclosure for ELV driver and line voltage connection</p>	<p>IC - Insulated Ceilings IC Housing required for Insulated ceilings. Required JA8 T24 Compliance</p>
Light Source		<p>Driver Low Voltage ELV Standard 2 Wire Dimming. Other Dimming Styles available through custom orders. Contact LGN.</p>	
Optics		<p>Light Source LED engine with 3 CCT options. Adjustable gimbal trim allows for aimable spot lighting.</p>	
		<p>Optics Field-interchangeable optic reflectors with spot, narrow flood, and wide flood beam spread options.</p>	

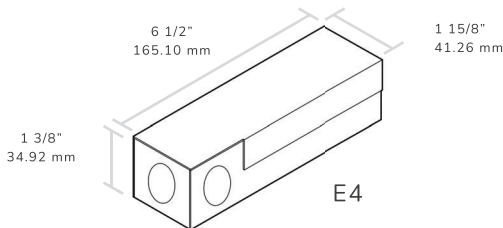
Housing / Retrofit Enclosure Specifications

E4 (4 Inch) Product Data

RT - Retrofit

Specifications:

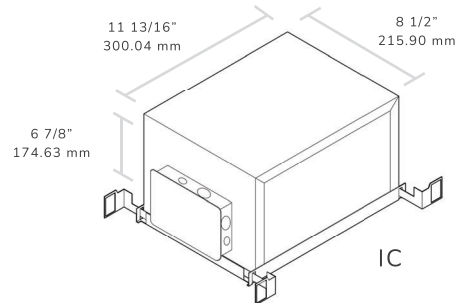
Dimensions: 6 1/2 x 1 5/8 x 1 3/8
 IP Rating: IP 20
 Light Source: LED
 AC Input: 110-277 VAC - 0.23-0.09A 50/60 Hz



IC - Insulated Ceiling Housing Enclosure (IC TITLE 24)

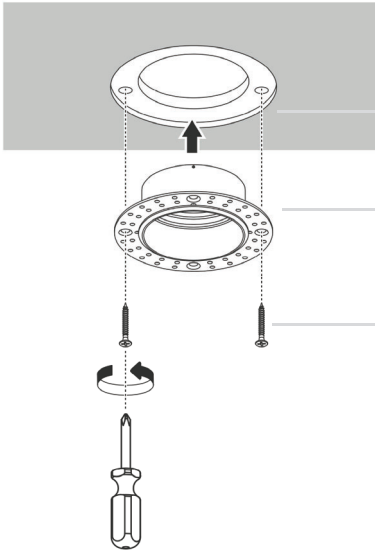
Specifications:

Dimensions: 8 1/2 x 11 13/16 x 6 7/8
 IP Rating: IP 20
 Light Source: LED
 AC Input: 110-277 VAC - 0.23-0.09A 50/60 Hz



INSTALLATION GUIDE

Trimless

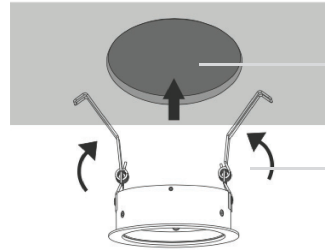


Ceiling Cutout:
3.6 inches/92 mm

Hole Saw
Required for installation for ceiling cutout

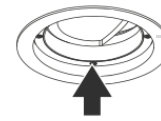
Screws
Plaster rig is installed at ceiling cutout using screws

Trimmed



Ceiling Cutout:
3.6 inches/92 mm

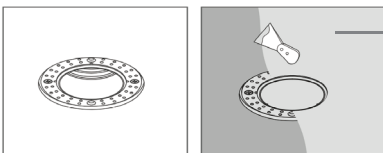
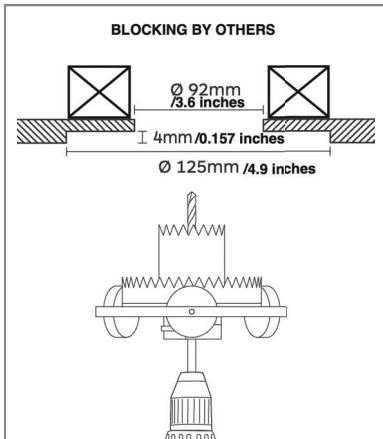
Butterfly Clips
Hold trimless fixtures in place



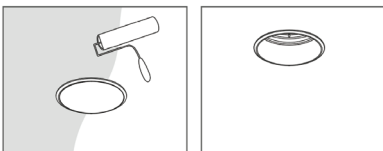
Gimbal Magnets
The gimbal snaps into place via magnets within the trim



Trim Magnets
The trim type also snaps into place using magnets for stress free installations



Cover Trim for paint
Before plastering and painting, cover the trim



Remove Cover
Once finished painting and plastering remove cover.