

INGROUND UPLIGHT LARGE

Project Name:	Type:
Product Code:	Date:




Inground Uplight Large

The perfect solution for marking out paths, walkways, and entrances, and illumination of small architectural or landscape elements. Featuring a shallow recess depth for a hassle-free installation, this series is available in every desired colored or white shade. Fitted with stainless steel frame and remote PSU, these versatile uplights also come in a flush-mount full-glass version for an even more elegant and discreet layout. A durable drive-over version is suitable for installation in vehicular areas.

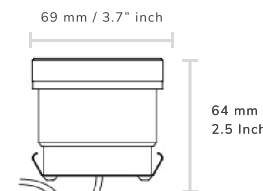
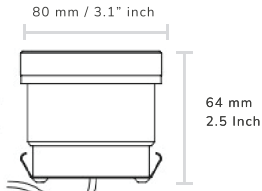
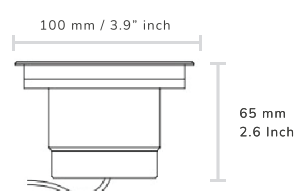
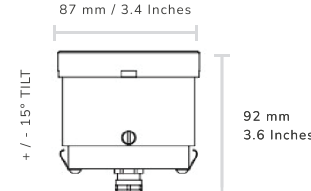
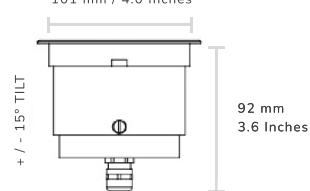
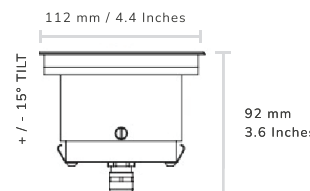


PERFORMANCE

	STATIC WHITE		DYNAMIC WHITE		RGBW
LUMEN PERF:	960 LMS	226 LMS (Ultra Spot 6°)	168 LMS		93 LMS
POWER:	250 mA	800 mA (Ultra Spot)	24v		24v
WATTAGE:	8W	2.7W (Ultra Spot)	4.6W		4.6W
CCT:	2700K	3000K	4000K	3000K — 6500K	

ALL			
LIGHT:	LED Module	CONTROL SYSTEM:	DMX-RDM, ELV, ON-OFF, 0-10v
SOURCE:	LED	RANGE:	1-100% Dimming Range
SDCM:	2 STEP	MAX OUTPUT:	959 LM / 120 Lm/W
CRI:	80 CRI, 90 CRI Options Available upon request	OPERATING TEMP:	-40°C to 50°C / (-40°F to 122°F)

DIMENSIONS

	TRIMLESS	TRIMMED	SCREW TRIM (DRIVE OVER)
FIXED			
ADJUSTABLE			

ORDER INFORMATION

Order Code

VAN	PROFILE	COLOR TEMP	OPTICS	TRIM	POWER	OPTIONS
VAN	IN5311 Fixed	27K 2700K	US 6°	TL Trimless	ELV	A ANTI SALINE
	IN5325 Adjustable	30K 3000K	NA 18°	TR Trimmed	0-10V	H HEXCELL LOUVER
		40K 4000K	ME 25°	STR Screw Trim		
			WI 35°			
			EW 50°			
		RGBW3 3000K	NA 13°		DMX DMX-RDM**** (DMX Ready)	
		RGBW4 4000K	ME 23°			
		DW 3000-6500K	WI 35°			
			EW 56°			

*250 mA driver required for Static White options.

** 800 mA driver required for Static White Ultra Spot US 6°

*** 24v driver required for RGBW and Dynamic White option. DMX driver included for RGBW and Dynamic White options, DMX controller by others

**** Other dimming options available upon request

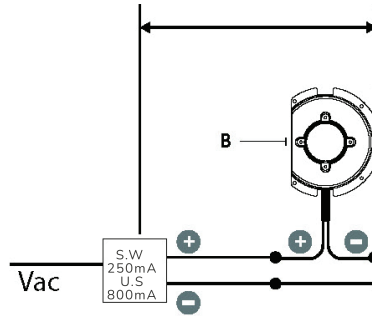
HOUSING DIMENSIONS

TRIMLESS	TRIMMED	SCREW TRIM
<p>16 mm / 0.63 Inches 84 mm / 3.31 Inches 100 mm / 3.94 Inches 25 mm / 0.98 Inches 69 mm / 2.72 Inches 15 mm / 0.59 Inches</p>	<p>16 mm / 0.63 Inches 84 mm / 3.31 Inches 100 mm / 3.94 Inches 25 mm / 0.98 Inches 80 mm / 3.15 Inches 69 mm / 2.72 Inches 102 mm / 4.02 Inches 15 mm / 0.59 Inches</p>	<p>15 mm / 0.59 Inches 84 mm / 3.31 Inches 99 mm / 3.90 Inches 25 mm / 0.98 Inches 100 mm / 3.94 Inches 90 mm / 3.54 Inches 101 mm / 3.98 Inches 15 mm / 0.59 Inches</p>
<p>180 mm / 7.08 Inches 05 mm / 0.20 Inches 167 mm / 6.56 Inches 145 mm / 5.71 Inches</p>	<p>180 mm / 7.08 Inches 05 mm / 0.20 Inches 167 mm / 6.56 Inches 145 mm / 5.71 Inches</p>	<p>180 mm / 7.08 Inches 05 mm / 0.20 Inches 167 mm / 6.56 Inches</p>

WIRING DIAGRAM

STATIC WHITE

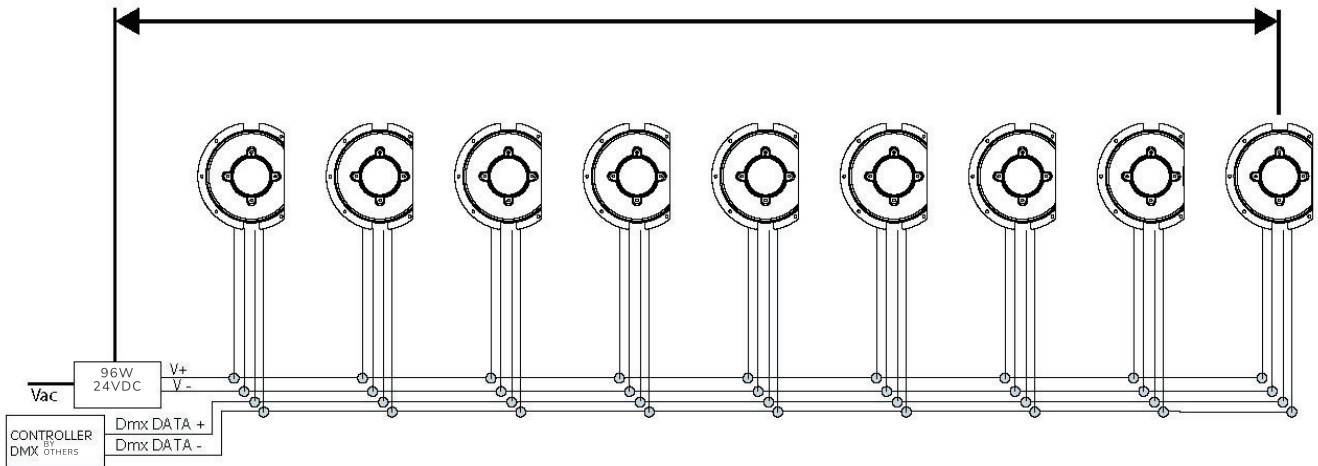
Constant Current - Wiring in Series
 Maximum 1 Fixture
 Distance between PSU and the last Fixture: 70FT AWG#12



CABLE	USE
RED	V+
BLACK	V-

DYNAMIC WHITE + RGBW

Constant Voltage - Wiring in Parallel
 Maximum 16 Fixtures
 Distance between PSU and the last fixture: 100FT AWG#12



CABLE	USE
BROWN	V+
BLUE	V-
WHITE	DMX DATA +
BLACK	DMX DATA -



Imported by the Lighting Group Network (LGN).

<https://www.lightinggroupnetwork.com>

Lighting Group Network is the premier importer of European lighting products. We specialize in tailoring products from around the world to make them compliant with every North American market. From component sourcing, to full listings, Lighting Group Network has the engineering background to bring any manufacturer or product to full local compliance.

IP68 NOT SUITABLE FOR UNDERWATER USE

2 YEAR WARRANTY.