



Project Name:	Type:
Product Code:	Date:



SPOT WALL SMALL

THE VANILLA SPOT WALL is an extremely compact LED luminaire capable of enhancing outdoor ambiances with discretion and elegance through the creation of refined accent lighting effects. Its external power supply unit allows a comfortable installation even in the smallest spaces, as well as the simultaneous management of multiple units. It is the ideal solution for a bright illumination of essential landscape or architectural details in delicate pastel tones or intense white shades. Extremely compact LED luminaire for a bright illumination of essential landscape or architectural details (IP 67).



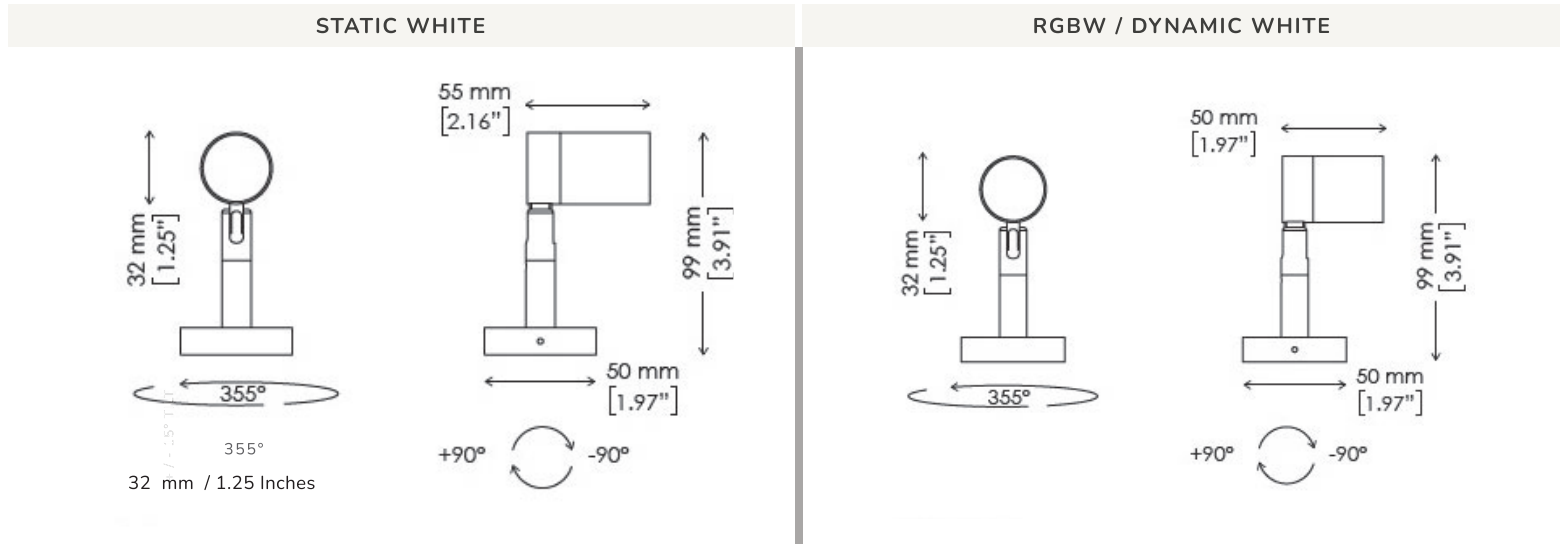
PERFORMANCE

	STATIC WHITE			DYNAMIC WHITE		RGBW
LUMEN PERF:	273 LMS			92 LMS		54 LMS
POWER:	900 mA			300 mA		300 mA
WATTAGE:	3 W			3.5 W		3.5 W
CCT:	2700K	3000K	4000K	3000K — 6500K		

ALL

LIGHT:	LED Module	CONTROL SYSTEM:	DMX-RDM, ELV, ON-OFF, 0-10V
SOURCE:	LED	OPERATING TEMP:	-40°C to 50°C / (-40°F to 122°F)
SDCM:	2 STEP	MAX OUTPUT:	273 lm / 91 lm/W
CRI:	80 CRI, 90 CRI Optional	RATING	IP 67 WET LOCATION

DIMENSIONS



ORDER INFORMATION

Order Code

VAN	PROFILE	COLOR TEMP		OPTICS		FINISH		DIMMING	ACCESORY
VAN	SP5318	27K	2700K	NA	12°*	BO	Black RAL	ELV	A Anti-Saline Treatment
		30K	3000K	ME	23°	AO	Anthracite RAL	0-10V	S Spike for Ground Fixing
		40K	4000K	WI	43°	GO	Grey RAL	others*	R Custom ROD length
		DW	3000-6500K	GO	120° Diffused Glass	WO	White RAL	DMX	
		RGBBW3	3000K			OO	Olive RAL		
		RGBW4	4000K						

* 120° optic only available for RGBW and Dynamic White options

** 900 mA for Static White options and 300 mA for RGBW and Dynamic White

*** DMX driver/controller required for RGBW and Dynamic White options

**** For RGBW DMX Control maximum 4 fixtures per driver

FINISHING



BLACK RAL



ANTHRACITE RAL



GREY RAL



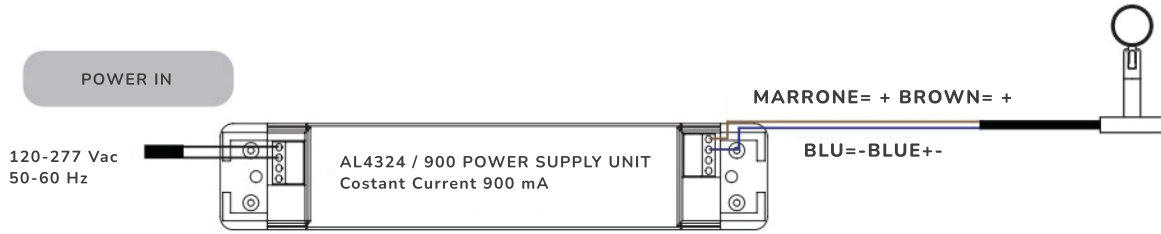
WHITE RAL



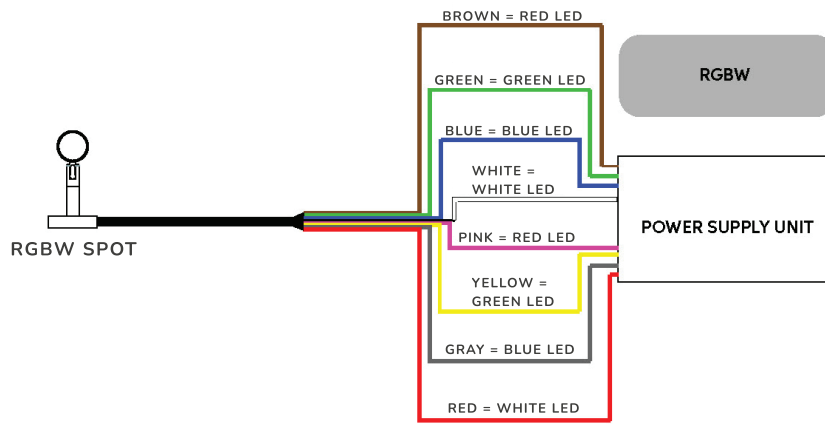
OLIVE RAL

WIRING DIAGRAM

STATIC AND DYNAMIC WHITE



RGBW



WALL INSTALLATION DIAGRAM

