

Project Name:	Type:
Product Code:	Date:






### Track Cylinder

The Vanilla track cylinder features a clean aluminum body and simple design. The track cylinder has deep LED shielding ideal for high visual comfort. This helps to control glare and maintain a quiet appearance in any space or setting its installed. The fixture comes standard in black or white finishes. The Vanilla track cylinder features optimal adjustability, tilttable pass 90° and can be rotated 360. The Vanilla track cylinder has three size options small, medium and large. Compatible with stucchi track standard. Optics are field swappable between the spot (15°), narrow flood (24°) and flood (36°) optics provided. It also features a clean beam edge suitable for lighting retail and hospitality applications.

## PERFORMANCE

	SMALL	MEDIUM	LARGE
<b>LIGHT:</b>	LED Module		
<b>SOURCE:</b>	LED		
<b>SDCM:</b>	2 STEP		
<b>LUMEN PERF:</b>	1000 LMS	2000 LMS	3000 LMS
<b>LMS DELIVERED:</b>	900 LMS	1800 LMS	2700 LMS
<b>LED LIFE:</b>	50,000 HRS		
<b>CRI</b>	90 CRI		
<b>CCT:</b>	2700K	3000K	3500K



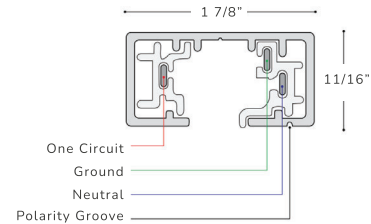
BEAM SPREAD	SPOT	NARROW FLOOD	FLOOD
			

## DRIVER SPECIFICATIONS

	SMALL	MEDIUM	LARGE
<b>DIMENSIONS:</b>	62 mm Dia. x 170mm H	74mm Dia. x 185 mm H	80mm Dia. x 185mm H
<b>VOLTAGE:</b>	110- 277v		
<b>WATTAGE</b>	10 W	20 W	30W
<b>DIMMING:</b>	Phase Dimming Protocol		
<b>RANGE</b>	1-100% Dimming Range		

## TRACK SPECIFICATIONS

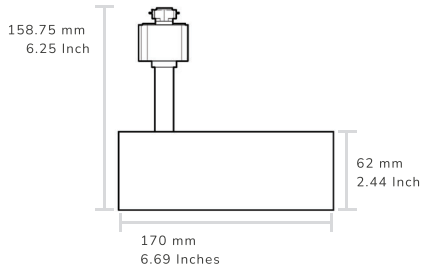
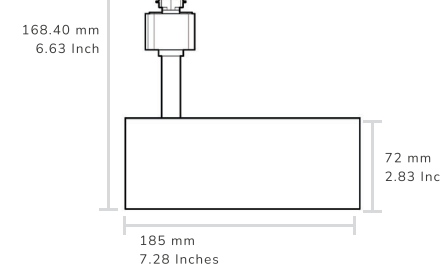
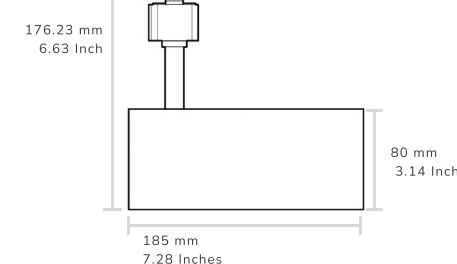
### ONE CIRCUIT TRACK 110-277v



\*Track component is specified separately.

\*\*Track is Type H-Style (3-Wire) Connector compatible with one circuit track.

## DIMENSIONS

SMALL	MEDIUM	LARGE
 <p>158.75 mm 6.25 Inch</p> <p>170 mm 6.69 Inches</p> <p>62 mm 2.44 Inch</p>	 <p>168.40 mm 6.63 Inch</p> <p>185 mm 7.28 Inches</p> <p>72 mm 2.83 Inch</p>	 <p>176.23 mm 6.93 Inch</p> <p>185 mm 7.28 Inches</p> <p>80 mm 3.14 Inch</p>

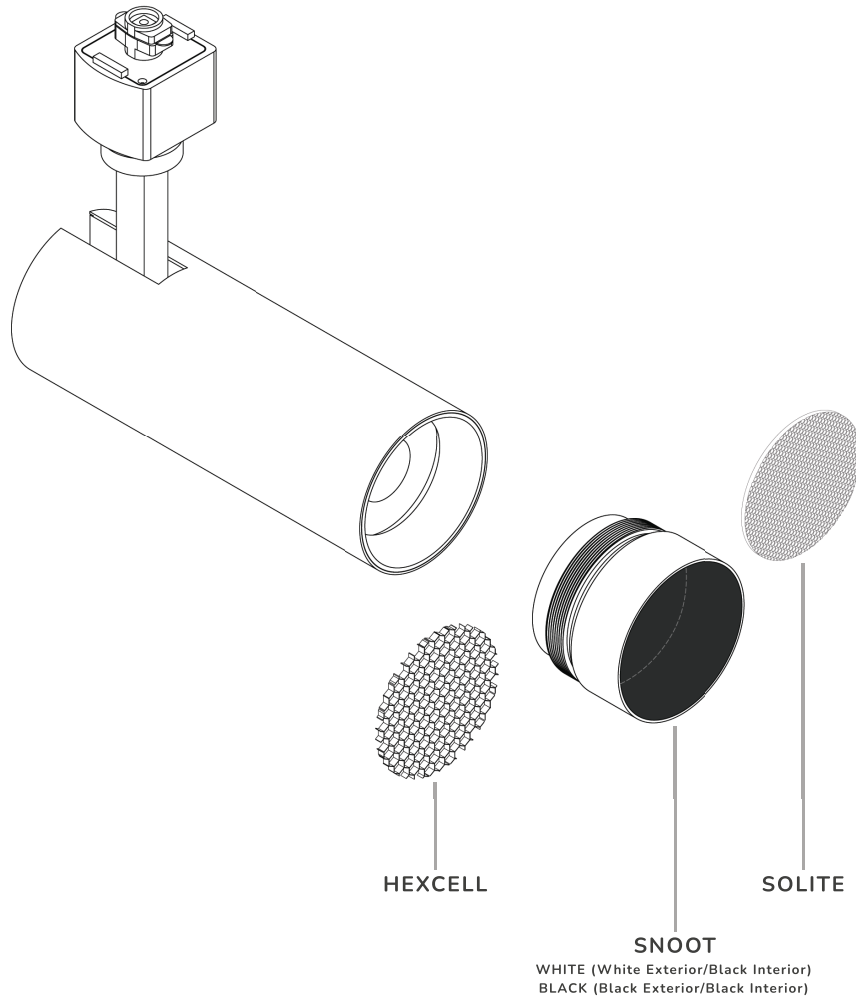
## ORDER INFORMATION

### Order Code

VAN	PROFILE	SIZE	COLOR TEMP	OPTICS	FINISH	VOLTAGE	OPTIONS*
VAN	TRCY	<b>S</b> SMALL (10 W) <b>M</b> MEDIUM (20 W) <b>L</b> LARGE (30 W)	<b>27</b> 2700K <b>30</b> 3000K <b>35</b> 3500K	<b>S</b> 15° <b>NF</b> 24° <b>F</b> 36°	<b>W</b> WHITE <b>B</b> BLACK	<b>U</b> 110-277v	<b>S</b> SOLITE <b>H</b> HEXCELL <b>ST</b> SNOOT <b>HF</b> HEXCELL + FILM <b>STS</b> SNOOT + SOLITE <b>STH</b> SNOOT + HEXCELL <b>STHF</b> SNOOT + HEXCELL + FILM

\* Up to two options can be combined typical. Example ST + H (Snoot + Hexcell) STH

## ACCESSORIES DIAGRAM



## FINISHES DIAGRAM



WHITE



BLACK