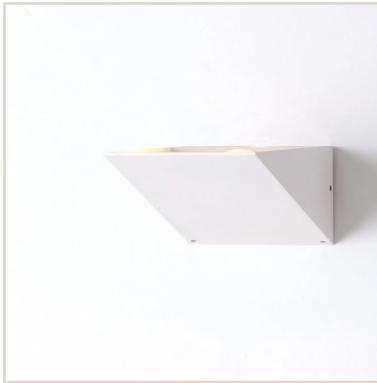


WEDGE SCONCE



Project Name:	Type:
Product Code:	Date:



WEDGE SCONCE

The Vanilla Wedge Sconce features clean simple lines which makes it a great piece for any minimalist interior space. It provides a soft uplight to highlight any feature wall or can be a feature itself with the quality of light it produces. The fixture comes standard in white powder coat finish and has a soft diffuser made from PMMA. The fixture can be oriented up or down to suit the required design aesthetic.



PERFORMANCE

	LED MODULE
CCT:	2700K / 3000K
CRI:	90+ CRI
WATTAGE:	10 WATTS
LUMENS:	900 LMs Delivered
LED LIFE:	50,000 hours
CCT:	2700K 3000K



BEAM SPREAD

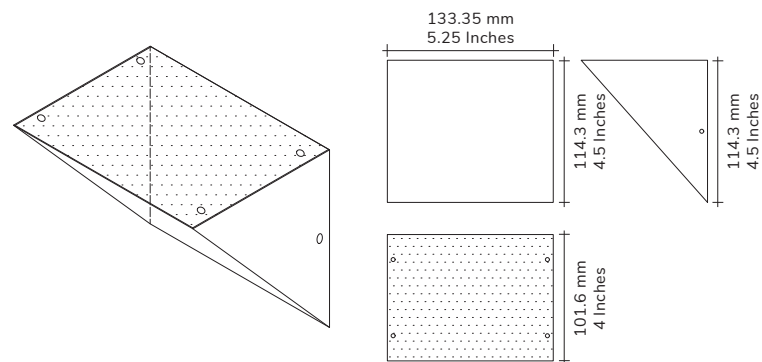
120°

FLOOD

FIXTURE DESCRIPTION

WEIGHT:	1.76 LBS
MATERIAL:	ALUMINIUM
DIFFUSER:	PMMA

KEY DIMENSIONS



DRIVER SPECIFICATIONS

DIMMING PROTOCOL:	PHASE DIMMING
LED CLASS:	2 OUTPUT
AC INPUT:	120V - 277V / 50/60 Hz
MAX OUTPUT:	30 WATTS

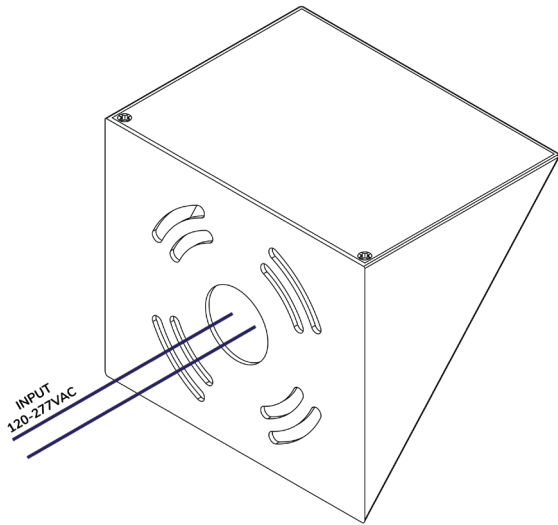
ORDER INFORMATION

Order Code

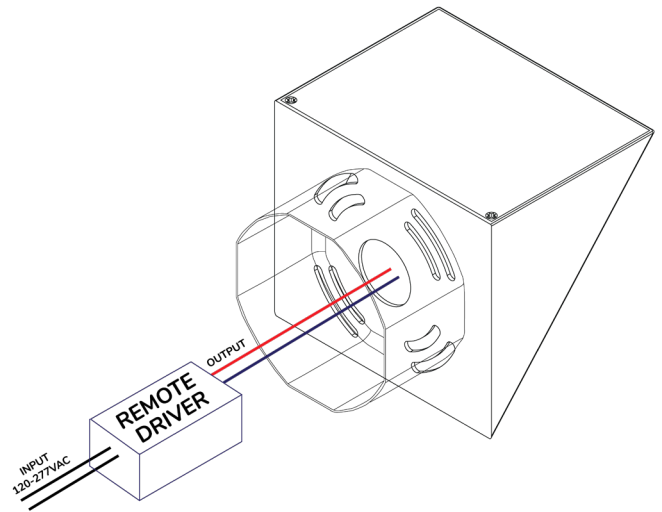
MAKE	BODY	TEMP		FINISH		VOLTAGE		MOUNTING		DRIVER	
VAN	WDG	27K	2700K	BK	BLACK	U	120-277 V	W	WALL	E	ELV
		30K	3000K	WH	WHITE						

DRIVER DIAGRAM

INTEGRATED DRIVER



REMOTE DRIVER



Imported by the Lighting Group Network (LGN).

<https://www.lightinggroupnetwork.com>

Lighting Group Network is the premier importer of European lighting products. We specialize in tailoring products from around the world to make them compliant with every North American market. From component sourcing, to full listings, Lighting Group Network has the engineering background to bring any manufacturer or product to full local compliance.

FOR DRY AND DAMP LOCATION USE.

FOR INTERIOR USE ONLY