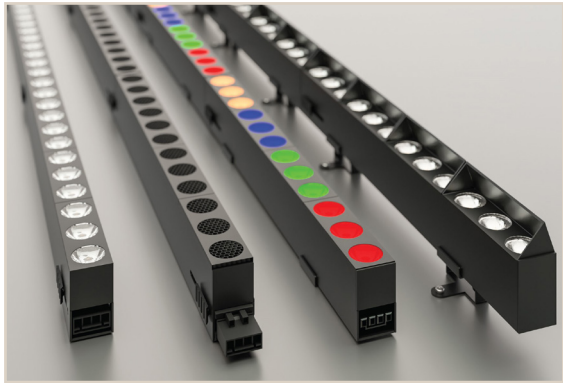




Project Name:	Type:
Product Code:	Date:



VANILLA LINK

The Vanilla Link is a unique connecting system that allows the creation of long linear runs without interlink cables while maintaining the same LED pitch. Its ultra-compact form factor permits installation in tight spaces.

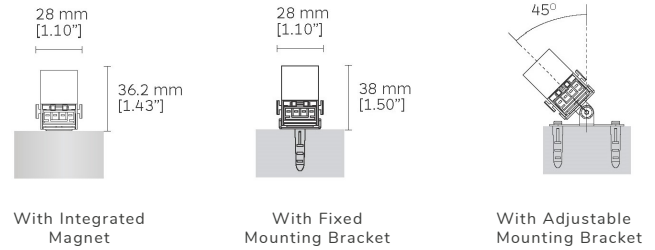
A wide range of optic options including narrow, medium, surface grazing, and wall wash beam makes Link LED an excellent choice for cove, surface grazing, and Wall-washing applications.



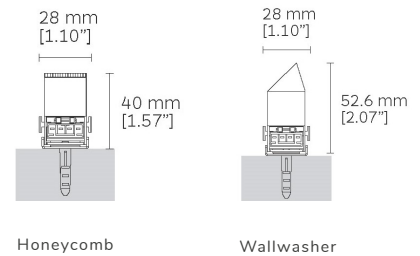
PERFORMANCE

	LED			
CCT:	2700K	3000K	3500K	4000K
LUMENS:	1884lm/Link	1944lm/Link	2040lm/Link	2148lm/Link
WATTAGE:	13.2 WATTS/LINK			
CRI:	90 CRI			
LED LIFE:	50,000 hours			
POWER:	48V			
SDCM:	3 STEP			
CCT:	2700K	3000K	3500K	4000K

MOUNTING OPTIONS

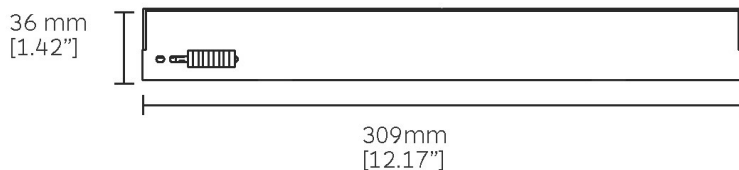
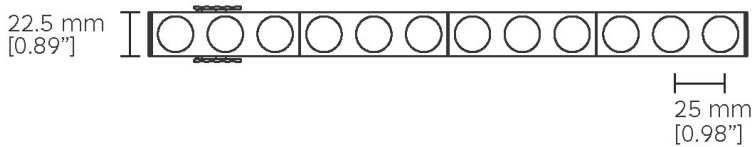


ACCESSORIES



KEY DIMENSIONS

Min Length = 12.17" (309mm) / 12 x LED, 1 Link



G146



G145

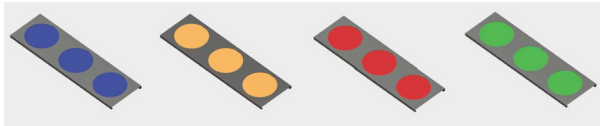


ORDER INFORMATION

Order Code													
MAKE	PROFILE	COLOR TEMP		OPTICS		FINISH		DRIVER		MOUNTING		ACCESSORIES	
VAN	G146	27K	2700K	ST	17°	BO	Black	NO DIM	IM	Integrated Magnet	CFR	Color Filter Red	
	G145	30K	3000K	NF	22°	WO	White	DALI DIM	FM	Fixed Mounting	CFG	Color Filter Green	
		35K	3500K	FL	29°	PB	Polished Brass	0-10V	AM	Adjustable Mounting	CFB	Color Filter Blue	
		40K	4000K	EL	15°x50°	GO	Gold				CFY	Color Filter Yellow	
											CFW	Color Filter Warm	
											H	Honeycomb	
											OM	Optical Module	
											OML	Optical Module w/Louvre	
											FPC	Flexible Power Cable	
											PF	Power Feeder	

ACCESSORIES

COLOR FILTER



Color Filters come in 5 colors. Blue, Yellow, Red, Green and Warming Gel

OPTIC MODULE



Standard Optical Module



Optical Module with Louvre

ACCESSORIES



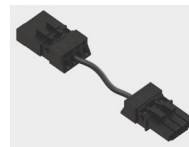
Honeycomb Optic Attachment



Adjustable Mounting Bracket



Fixed Mounting Bracket



Flexible Power Cable
1000mm Long (Ft)

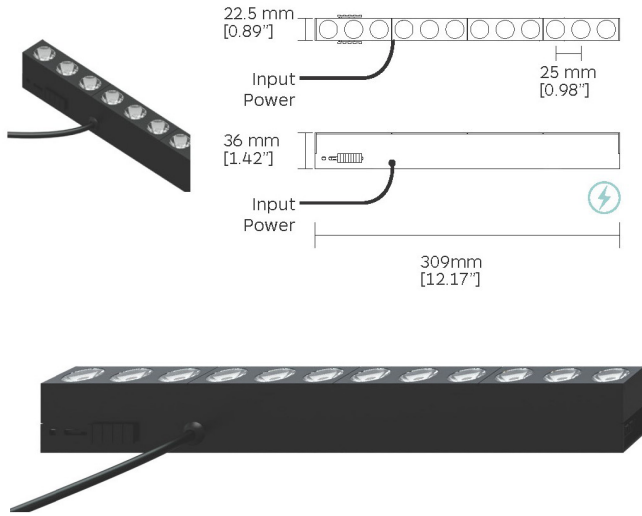


Power Feeder
500mm Long (Ft)

TECHNICAL FACTS

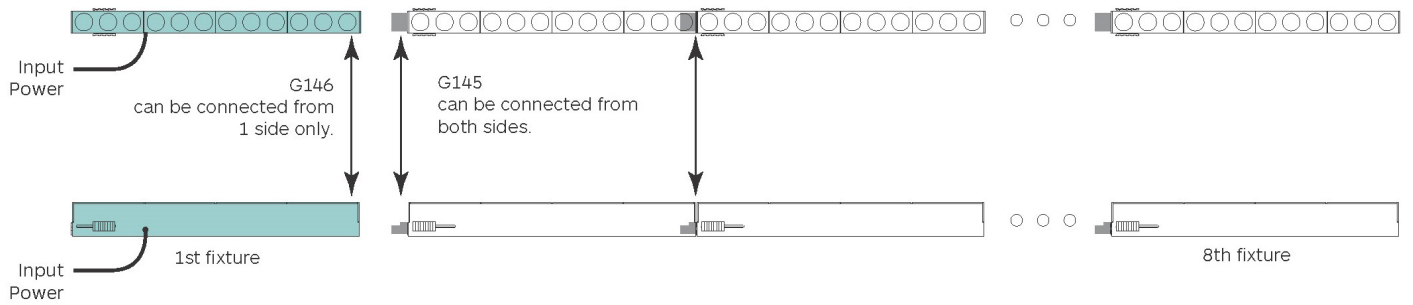
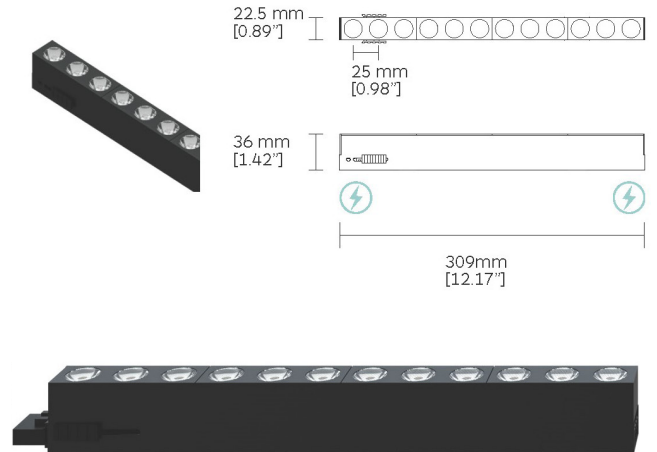
G146

Min.L = 309mm (12.17") | 12xLED, 1 Link
 G146 with side power feed cable. The following LINK can only be connected from 1 side.
 Input Power Cable Length 600mm



G145

Min.L = 309mm (12.17") | 12xLED, 1 Link
 G145 can be connected from both sides.

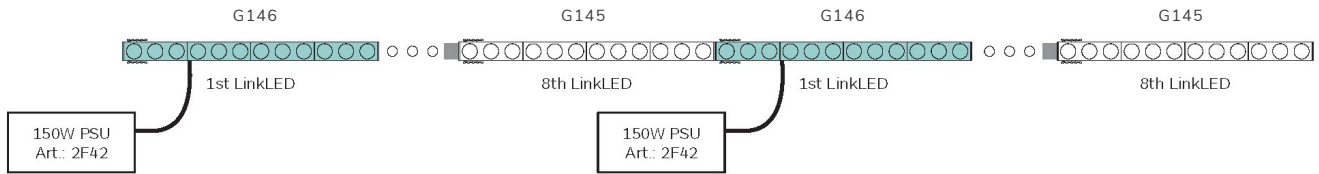


The Max distance from the last fixture to the driver to the last fixture is 18 meters (ft).
 AWG#_...

OPTIONAL CONFIGURATION

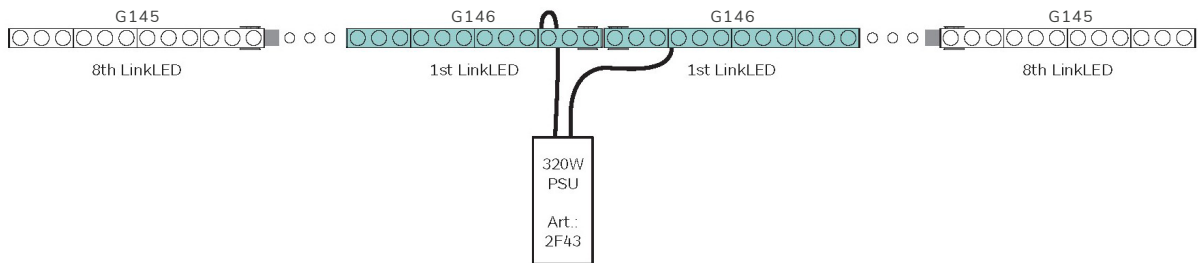
Option A

2F42 Constant 24V 150W. 1 Driver for Maximum 8 Links per run.



Option B

2F43 Constant 48V 320W. 1 Power Supply for Max.16 Link fixtures



Option C

2F43 Constant 48V 320W. 1 Power Supply for Max 16. Links (2 Runs of 8 Links each max.)

