

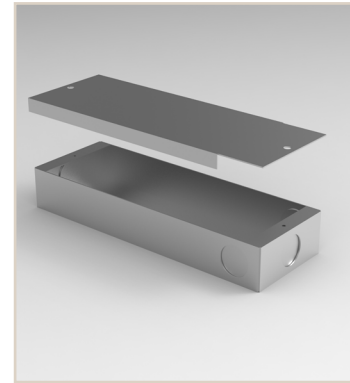
Project Name:	Type:
Product Code:	Date:

VANILLA 40W CC DRIVER



40W CC DRIVER

The Vanilla 40W CC Driver is a constant current driver with multiple dimming options. The 5 in 1 dimming options are, Triac, 0-10V, 1-10V, Potentiometer, 10V. The driver has a dimming range of 1-100%. Along with this the driver has short circuit and over temperature protection. The drivers come with the C-AFL enclosure.



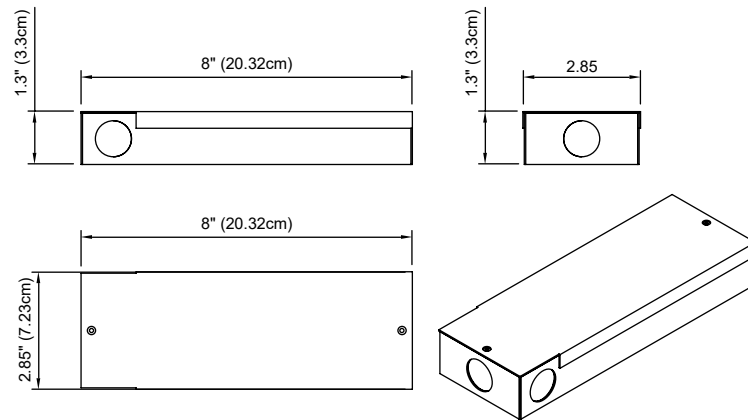
PERFORMANCE

	5 IN 1 DIMMING LED DRIVER
	40W
VOLTAGE:	100-277VAC
DIMMING RANGE:	1-100% (FLICKER FREE)
OUTPUT:	CONSTANT CURRENT
CLASS:	CLASS 2 / CLASS P
CURRENT TOLERANCE:	±5%
ENCLOSURE:	C-AFL
DIMMING:	Triac / 0-10V / 1-10V / 10V PWM / POTENTIOMETER
STANDARD:	UL8750, CLASS 2
WORKING TEMP:	-40~+140°F (-40~+60°C)
RATING:	IP20

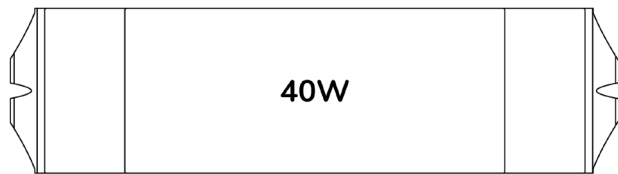
KEY DIMENSIONS

40W | C-AFL

Length: 8" (20.32cm) Width: 2.85" (7.23cm) Height: 1.3" (3.3cm)



The Driver is recommended to be mounted in at least 2" of free flow air space to allow for proper ventilation.



W : 2.1" H : 0.8" L : 6.73"

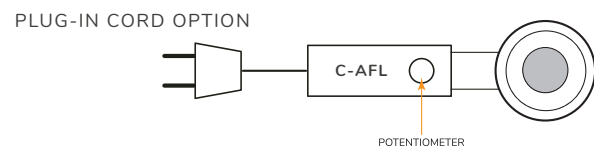
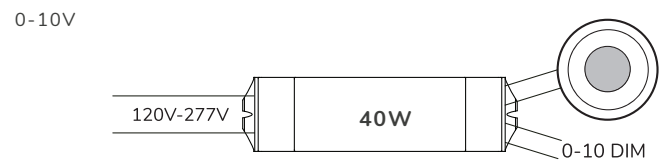
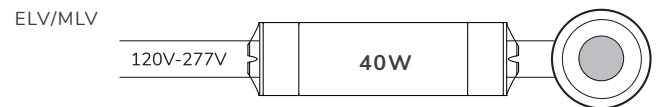
ORDER INFORMATION

Order Code			
MAKE	MODEL		
VAN	DVR	40W	CC-USD

OPTION
PLUG-IN AND 6' CORD + POTENTIOMETER

WIRING DIAGRAM

40W - MULTIPLE FIXTURES REQUIRE WIRING IN SERIES - AWG#16



TECHNICAL SPECIFICATIONS

40W DRIVER

RATED CURRENT:	300mA 350mA 400mA 450mA 500mA 550mA 600mA 650mA 700mA 800mA 900mA 1000mA 1100mA 1200mA 1300mA 1400mA
CURRENT TOLERANCE:	25mA
DC VOLTAGE:	3-50V 3-45V 3-40V 3-37V 3-34V 3-31V 3-29V
RATED POWER:	15W 17.5W 20W 22.5W 25W 27.5W 30W 32.5W 35W 40W
RATED INPUT VOLTAGE:	100-277VAC
RATED FREQUENCY:	47-63Hz
POWER FACTOR:	0.95@120VAC 60Hz 0.90@277VAC 60Hz
EFFICIENCY (Typ.):	82%@120VAC
AC CURRENT (MAX):	0.52A/100VAC
INRUSH CURRENT (Typ.):	3.12A,36US @ 50%IPEAK @ 120VAC 21.2A, 13.8US@50%IPEAK @ 230VAC 9.2A,34US @ 50%IPEAK @ 277VAC
LEAKAGE CURRENT:	<0.50mA
SHORT CIRCUIT:	CONSTANT CURRENT MODE, RECOVERS AUTOMATICALLY AFTER FAULT CONDITION IS REMOVED
OUTPUT NO-LOAD VOLTAGE:	75V MAX
OVER TEMPERATURE:	AMBIENT TEMP. OVER 50±5°C (122±9°F), OUTPUT CURRENT WILL BE REDUCED TO 50%; AMBIENT TEMP. OVER 60±5°C (140±9°F), OUTPUT WILL BE OFF, RECOVERS AUTOMATICALLY
PROTECTION CLASS:	CLASS 2
WORKING TEMP:	-40-+60°C (-40-+140°F)
WORKING HUMIDITY:	20-90%RH, NON-CONDENSING
STORAGE TEMP:	-40-+80°C (-40-+176°F)
STORAGE HUMIDITY:	10-95%RH
TEMP COEFFICIENT:	±0.03%/°C (0-50°C) (32-122°F)
VIBRATION:	10-500Hz, 2G 10min./1 CYCLE, PERIOD FOR 60min. EACH ALONG X,Y,Z AXIS
SAFETY STANDARDS:	EN61347-1 / EN61347-2-13 / UL8750
WITHSTAND VOLTAGE:	I/P-O/P:1.80KVAC
ISOLATION RESISTANCE:	I/P-O/P:100MΩ / 500VDC / 25°C / 70%RH
EMC EMISSION:	FCC 47 CFR PART 15, SUBPART B