

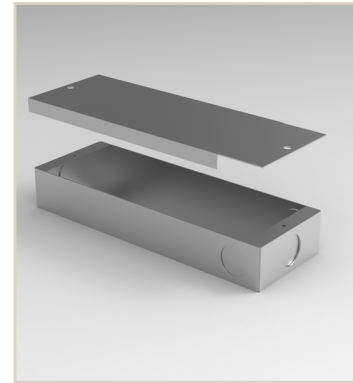
Project Name:	Type:
Product Code:	Date:

VANILLA 60W CC DRIVER



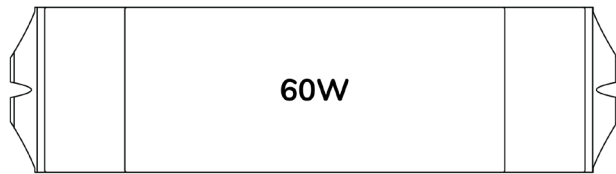
60W CC DRIVER

The Vanilla 60W CC Driver is a constant current driver with multiple dimming options. The 5 in 1 dimming options are, Triac, 0-10V, 1-10V, Potentiometer, 10V. The driver has a dimming range of 1-100%. Along with this the driver has short circuit and over temperature protection. The drivers come with the C-AFL enclosure.



PERFORMANCE

	5 IN 1 DIMMING LED DRIVER
	60W
VOLTAGE:	100-277VAC
DIMMING RANGE:	1-100% (FLICKER FREE)
OUTPUT:	CONSTANT CURRENT
CLASS:	CLASS 2 / CLASS P
CURRENT TOLERANCE:	25mA
ENCLOSURE:	C-AFL
DIMMING:	Triac / 0-10V / 1-10V / 10V PWM / POTENTIOMETER
STANDARD:	UL8750, CLASS 2
WORKING TEMP:	-40~+140°F (-40~+60°C)
RATING:	IP20



W : 2.25" H : 1" L : 7.25"

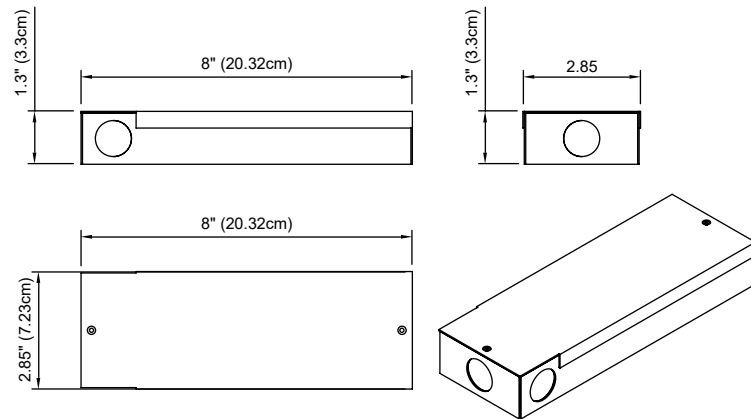
ORDER INFORMATION

Order Code			
MAKE	MODEL		
VAN	DVR	60W	CC-USD
OPTION PLUG-IN AND 6' CORD + POTENTIOMETER			

KEY DIMENSIONS

60W

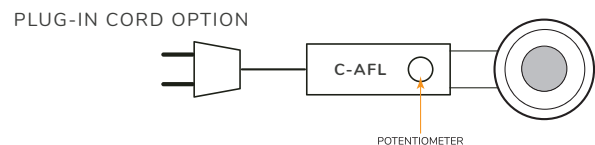
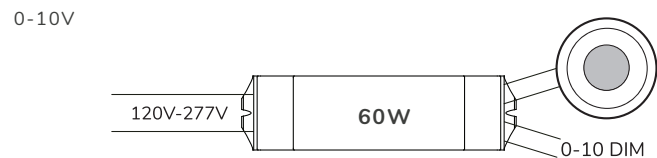
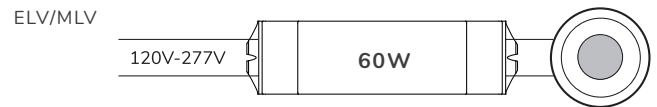
Length: 8" (20.32cm) Width: 2.85" (7.23cm) Height: 1.3" (3.3cm)



The Driver is recommended to be mounted in at least 2" of free flow air space to allow for proper ventilation.

WIRING DIAGRAM

60W - MULTIPLE FIXTURES REQUIRE WIRING IN SERIES



TECHNICAL SPECIFICATIONS

60W DRIVER

RATED CURRENT:		600mA 	700mA 	800mA 	900mA 	1000mA 	1100mA 	1200mA 	1300mA 	1400mA 	1500mA 	1600mA 	1700mA 	1800mA 	1900mA 	2000mA 	2100mA 				
CURRENT TOLERANCE:	25mA																				
DC VOLTAGE:	3-50V						3-46V	3-43V	3-40V	3-38V	3-35V	3-33V	3-32V	3-30V	3-39V						
RATED POWER:	30W	35W	40W	45W	50W	55W	60W														
RATED INPUT VOLTAGE:	100-277VAC																				
RATED FREQUENCY:	47-63Hz																				
POWER FACTOR:	0.99@120VAC 60Hz 0.96@277VAC 60Hz																				
EFFICIENCY (Typ.):	83%@120VAC 60Hz 83%@277VAC 60Hz																				
AC CURRENT (MAX):	0.8A																				
INRUSH CURRENT (Typ.):	10A,90US @ 50%IPEAK AT 120VAC 36.8A,29US @ 50%IPEAK at 230V 44A,80US @ 50%IPEAK@277V																				
LEAKAGE CURRENT:	<0.50mA																				
SHORT CIRCUIT:	CONSTANT CURRENT MODE, RECOVERS AUTOMATICALLY AFTER FAULT CONDITION IS REMOVED																				
OVER-LOAD:	HICCUP MODE, RECOVERS AUTOMATICALLY AFTER FAULT CONDITION IS REMOVED																				
OVER TEMPERATURE:	AMBIENT TEMP. OVER 50±5°C (122±9°F), OUTPUT CURRENT WILL BE REDUCED TO 50%; AMBIENT TEMP. OVER 60±5°C (140±9°F), OUTPUT WILL BE OFF, RECOVERS AUTOMATICALLY																				
PROTECTION CLASS:	CLASS 2																				
WORKING TEMP:	-40-+60°C (-40-+140°F)																				
WORKING HUMIDITY:	20-90%RH, NON-CONDENSING																				
STORAGE TEMP:	-40-+80°C (-40-+176°F)																				
STORAGE HUMIDITY:	10-95%RH																				
TEMP COEFFICIENT:	±0.03%/°C (0-50°C) (32-122°F)																				
VIBRATION:	10-500Hz, 2G 10min./1 CYCLE, PERIOD FOR 60min. EACH ALONG X,Y,Z AXIS																				
SAFETY STANDARDS:	UL8750																				
WITHSTAND VOLTAGE:	I/P-O/P:1.80KVAC																				
ISOLATION RESISTANCE:	I/P-O/P:100MΩ / 500VDC / 25°C / 70%RH																				
EMC EMISSION:	FCC 47 CFR PART 15, SUBPART B																				