

VANILLA 3 INCH ADJUSTABLE DOWNLIGHT

Project Name:	Type:
Product Code:	Date:



Vanilla 3 Inch Adjustable Downlight

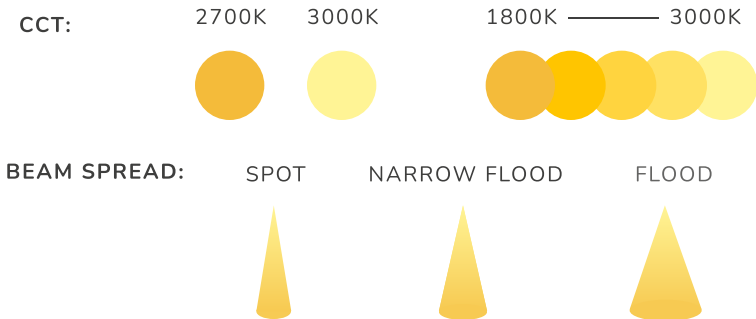
The Vanilla product family is a small recessed adjustable downlight providing high visual comfort thanks to a deep recessed LED Engine. Vanilla comes with a modular and tool free LED-engine and optical accessories that are field changeable. Fixture is serviceable through the aperture.

The Body is made of high grade Aluminum. The fixture is tiltable vertically 0-32° and rotatable horizontally 355°. Adjustable 32° always inside ceiling level. The fixtures is provided standard with retrofit housing.



PERFORMANCE

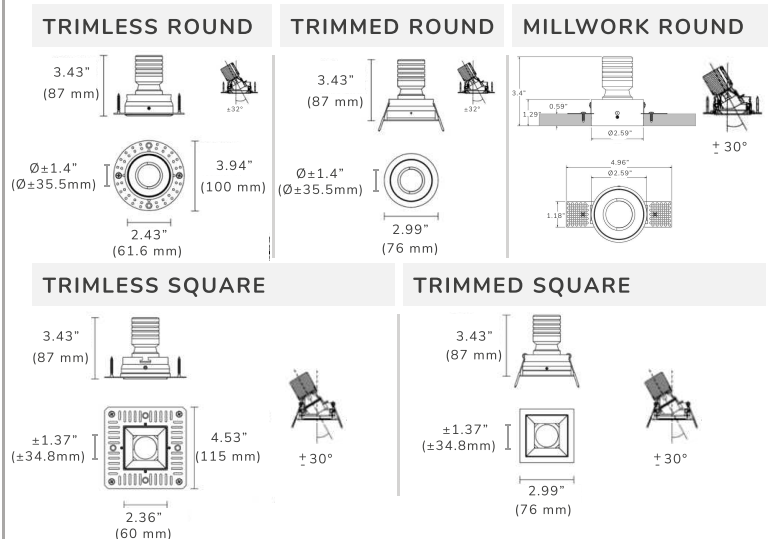
	STATIC WHITE LED	WARM DIM LED
CCT:	2700K / 3000K	1800K - 3000K
CRI:	97 CRI / 10° 90 CRI	90 CRI
WATTAGE:	9 W(250 mA) / 10° 10 W(700mA)	6 WATTS (350 mA)
LUMENS:	766 Delivered / 10° 1200 Delivered	553 Delivered
SDMC:	2 Step / 10° 2 Step	2 Step



DRIVER SPECIFICATIONS

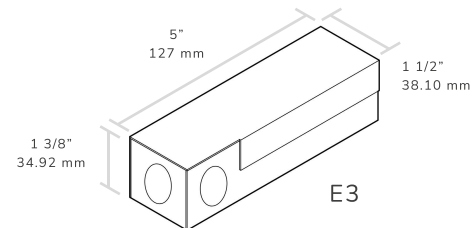
	STATIC WHITE		WARM DIM
DRIVER:	E3	E7	EW
DIMMING PROTOCOL:	ELV 2 Wire	ELV 2 Wire	ELV 2 Wire
LED CLASS:	2 Output	2 Output	2 Output
AC INPUT	110-277VAC	120 V AC	120 V AC
	120-50 mA	0-11 mA	0.11 A
	50/60 HZ	50/60 HZ	50/60 Hz
DC OUTPUT:	250mA	700mA	350mA
WATTS:	Max 9W	Max 15W	Max 15W

KEY DIMENSIONS

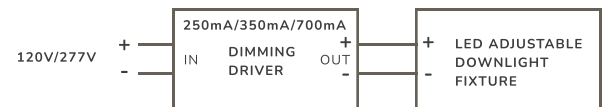


HOUSING SPECIFICATIONS

RETROFIT DRIVE ENCLOSURE SPECS



ELV Standard 2-Wire Dimming



*FOR OTHER DIMMING STYLES CONTACT LGN

** 250MA DRIVER FOR STATIC WHITE / 350MA DRIVER FOR WARM DIM

TRIM OPTIONS

R3 - ROUND

TRIM TYPE	TL	TRIMLESS	TR	TRIMMED	FINISH
FX FLAT IP20 (DRY)					 W WHITE
CX CONCAVE IP20 (DRY)					 B BLACK
FH FLAT HEXCELL IP20 (DRY)					 C CUSTOM
FS FLAT SOLITE SHOWER IP44 (WET)					
CS CONCAVE SOLITE SHOWER IP44 (WET)					

S3 - SQUARE

FX FLAT IP20 (DRY)				
CX CONCAVE IP20 (DRY)				
FH FLAT HEXCELL IP20 (DRY)				
FS FLAT SOLITE SHOWER IP44 (WET)				



ORDER INFORMATION

Order Code

VAN	PROFILE	TRIM TYPE	FINISH	TEMP	OPTICS	DRIVER	HOUSING
VAN	RTR3 ROUND TRIMMED	FX FLAT -IP20	W WHITE	273 2700K	10	E7 ELV**	RT RETROFIT
	RTL3 ROUND TRIMLESS	CX CONCAVE - IP20	B BLACK	303 3000K	18	E3 ELV	
	STR3 SQUARE TRIMMED	FH FLAT HEXCELL -IP20	C CUSTOM *		24	XX OTHER***	
	STL3 SQUARE TRIMLESS	FS FLAT SOLITE SHOWER - IP44			34		
	RML3 ROUND MILLWORK	CS CONCAVE SOLITE SHOWER -IP44		WD3 (1800 K - 3000K)	17	EW ELV	
					27		
					35		
					62		

*CUSTOM FINISHES REQUIRE A MINIMUM QUANTITY OF 25 FIXTURES

**E7 DRIVER FOR 10 DEGREE OPTIC ONLY

***OTHER DIMMING OPTIONS AVAILABLE UPON REQUEST

****CONCAVE SOLITE ONLY AVAILABLE ON ROUND TRIM TYPE

Fixture Components



Power Source

120 V Connection

Housing/ Enclosure

Retrofit Housing enclosure for ELV driver and line voltage connection

Driver

Low Voltage ELV Standard 2 Wire Dimming. Other Dimming Styles available through custom orders. Contact LGN.

Light Source

LED engine with 3 CCT options. Adjustable gimbal trim allows for aimable spot lighting.

Optics

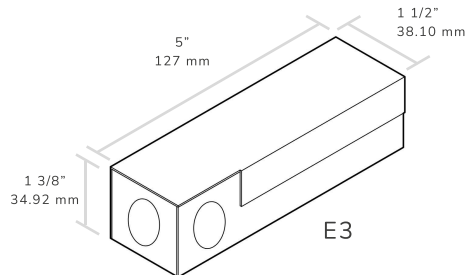
Field-interchangeable optic reflectors with spot, narrow flood, and wide flood beam spread options.

Housing / Retrofit Enclosure Specifications

E3 (3 Inch) Product Data

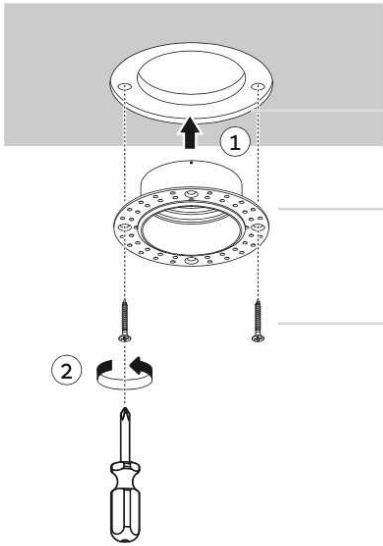
Specifications:

Dimensions:	5 x 1 1/2 x 1 3/8
IP Rating:	IP 20
Light Source:	LED
AC Input:	110-277 VAC - 120-50mA 50/60Hz



INSTALLATION GUIDE

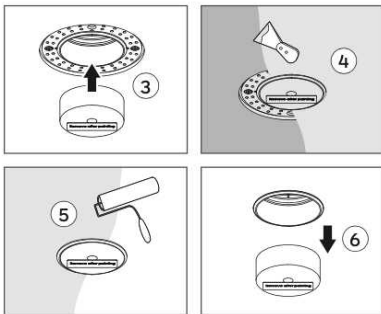
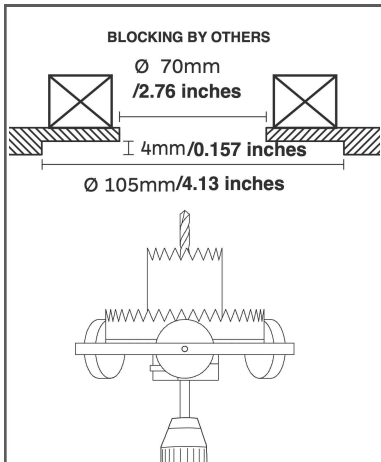
Trimless



Ceiling Cutout:
2.76 inches/70 mm

Hole Saw
Required for installation for ceiling cutout

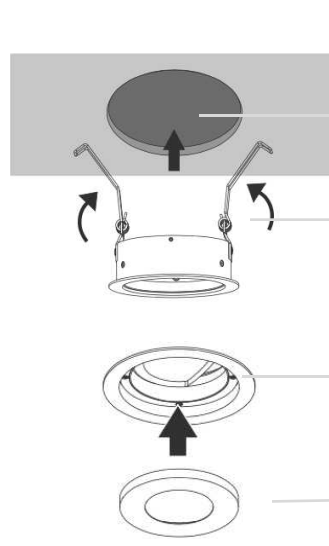
Screws
Plaster rig is installed at ceiling cutout using screws



Cover Trim for paint
Before plastering and painting, cover the trim

Remove Cover
Once finished painting and plastering remove cover.

Trimmed



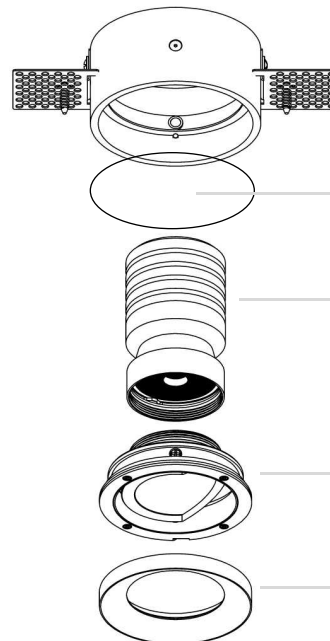
Ceiling Cutout:
2.76 inches/70 mm

Butterfly Clips
Hold trimless fixtures in place

Gimbal Magnets
The gimbal snaps into place via magnets within the trim

Trim Magnets
The trim type also snaps into place using magnets for stress free installations

Millwork



Millwork Mount:
Installed from the back, with two set screws, height adjustable

Millwork Cutout:
2.59 inches/66 mm
see dimensions above for fixture measurements

LED Module
Attached to the adjustable ring will snap into the Millwork mount

Adjustable Ring
Snaps into the Millwork mount

Trim Magnets
The trim type also snaps into place using magnets for stress free installations