

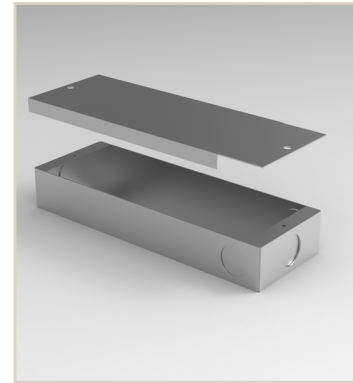
Project Name:	Type:
Product Code:	Date:

VANILLA 60W CC DRIVER



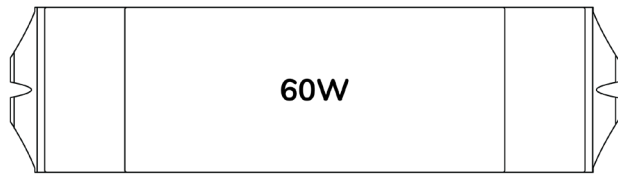
60W CC DRIVER

The Vanilla 60W CC Driver is a constant current driver with multiple dimming options. The 5 in 1 dimming options are, Triac, 0-10V, 1-10V, Potentiometer, 10V. The driver has a dimming range of 1-100%. Along with this the driver has short circuit and over temperature protection. The drivers come with the C-AFL enclosure.



PERFORMANCE

	5 IN 1 DIMMING LED DRIVER
	60W
VOLTAGE:	100-277VAC
DIMMING RANGE:	1-100% (FLICKER FREE)
OUTPUT:	CONSTANT CURRENT
CLASS:	CLASS 2 / CLASS P
CURRENT TOLERANCE:	25mA
ENCLOSURE:	C-AFL (INCLUDED)
DIMMING:	Triac / 0-10V / 1-10V / 10V PWM / POTENTIOMETER
STANDARD:	UL8750, CLASS 2
WORKING TEMP:	-40~+140°F (-40~+60°C)
RATING:	IP20



W : 2.25" H : 1" L : 7.25"

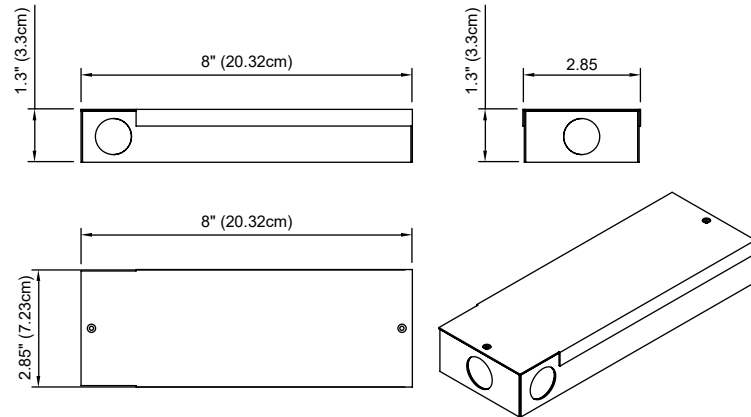
ORDER INFORMATION

Order Code			
MAKE	MODEL		
VAN	DVR	60W	CC-USD
OPTION PLUG-IN AND 6' CORD + POTENTIOMETER			

KEY DIMENSIONS

60W

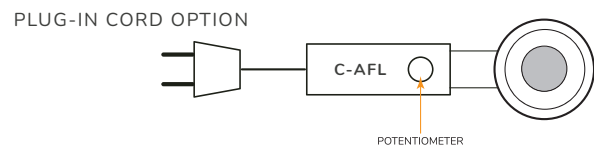
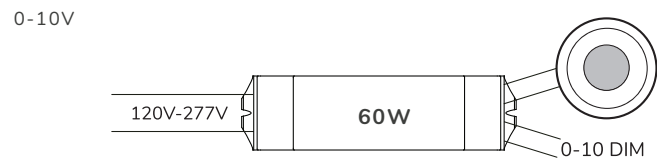
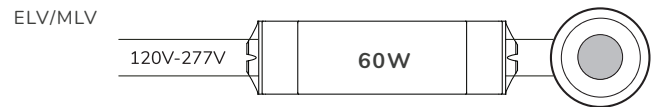
Length: 8" (20.32cm) Width: 2.85" (7.23cm) Height: 1.3" (3.3cm)



The Driver is recommended to be mounted in at least 2" of free flow air space to allow for proper ventilation.

WIRING DIAGRAM - max 70FT - NO HOT START

60W - MULTIPLE FIXTURES REQUIRE WIRING IN SERIES
TERMINAL WIRING GAUGE MAX SIZE AWG#16



TECHNICAL SPECIFICATIONS

60W DRIVER

RATED CURRENT:	600mA 700mA 800mA 900mA 1000mA 1100mA 1200mA 1300mA 1400mA 1500mA 1600mA 1700mA 1800mA 1900mA 2000mA 2100mA
CURRENT TOLERANCE:	25mA
DC VOLTAGE:	3-50V 3-46V 3-43V 3-40V 3-38V 3-35V 3-33V 3-32V 3-30V 3-39V
RATED POWER:	30W 35W 40W 45W 50W 55W 60W
RATED INPUT VOLTAGE:	100-277VAC
RATED FREQUENCY:	47-63Hz
POWER FACTOR:	0.99@120VAC 60Hz 0.96@277VAC 60Hz
EFFICIENCY (Typ.):	83%@120VAC 60Hz 83%@277VAC 60Hz
AC CURRENT (MAX):	0.8A
INRUSH CURRENT (Typ.):	10A,90US @ 50%IPEAK AT 120VAC 36.8A,29US @ 50%IPEAK at 230V 44A,80US @ 50%IPEAK@277V
LEAKAGE CURRENT:	<0.50mA
SHORT CIRCUIT:	CONSTANT CURRENT MODE, RECOVERS AUTOMATICALLY AFTER FAULT CONDITION IS REMOVED
OVER-LOAD:	HICCUP MODE, RECOVERS AUTOMATICALLY AFTER FAULT CONDITION IS REMOVED
OVER TEMPERATURE:	AMBIENT TEMP. OVER 50±5°C (122±9°F), OUTPUT CURRENT WILL BE REDUCED TO 50%; AMBIENT TEMP. OVER 60±5°C (140±9°F), OUTPUT WILL BE OFF, RECOVERS AUTOMATICALLY
PROTECTION CLASS:	CLASS 2
WORKING TEMP:	-40-+60°C (-40-+140°F)
WORKING HUMIDITY:	20-90%RH, NON-CONDENSING
STORAGE TEMP:	-40-+80°C (-40-+176°F)
STORAGE HUMIDITY:	10-95%RH
TEMP COEFFICIENT:	±0.03%/°C (0-50°C) (32-122°F)
VIBRATION:	10-500Hz, 2G 10min./1 CYCLE, PERIOD FOR 60min. EACH ALONG X,Y,Z AXIS
SAFETY STANDARDS:	UL8750
WITHSTAND VOLTAGE:	I/P-O/P:1.80KVAC
ISOLATION RESISTANCE:	I/P-O/P:100MΩ / 500VDC / 25°C / 70%RH
EMC EMISSION:	FCC 47 CFR PART 15, SUBPART B