

|               |       |
|---------------|-------|
| Project Name: | Type: |
| Product Code: | Date: |

## VANILLA CONSTANT VOLTAGE DRIVERS




### U5D DRIVERS

The Vanilla Constant Voltage Drivers are a constant voltage, fine tune driver. It features 5 in 1 Dimming: Triac, 0-10V, 1-10V, 10V PWM and, Potentiometer Dimming. They have a dimming range of 0.1-100% that is flicker free. Along with this they feature Short-Circuit protection, Over-Temperature Protection and, Over-Load Protection. They have a very low loading request working perfectly at 10%-100%. Along with this the drivers are included in a high quality aluminium housing for dry, damp and wet location.



### PERFORMANCE

|                               | 5 IN 1 DIMMING LED DRIVER   |     |     |
|-------------------------------|---|-----|-----|
|                               | 30W   | 60W | 96W |
| <b>VOLTAGE:</b>               | 110-277VAC  |     |     |
| <b>DIMMING RANGE:</b>         | 0.1-100% (FLICKER FREE)   |     |     |
| <b>OUTPUT:</b>                | 24 VDC  |     |     |
| <b>ENCLOSURE:</b>             | ALUMINIUM   |     |     |
| <b>DIMMING:</b>               | Triac / 0-10V / 10V PWM / POTENIOMETER  |     |     |
| <b>STANDARD:</b>              | UL8750, CLASS 2   |     |     |
| <b>WORKING TEMP:</b>          | -40~+140°F (-40~+60°C)  |     |     |
| <b>OUTPUT VOLTAGE TUNING:</b> | 17V-25V  (Blue Knob) |     |     |

### FREQUENCY ADJUSTMENT (Black Knob)

|          |           |
|----------|-----------|
| 0:4000Hz | 5:2000Hz  |
| 1:250Hz  | 6:3600Hz  |
| 2:400Hz  | 7:8000Hz  |
| 3:800Hz  | 8:16000Hz |
| 4:1470Hz | 9:20000Hz |

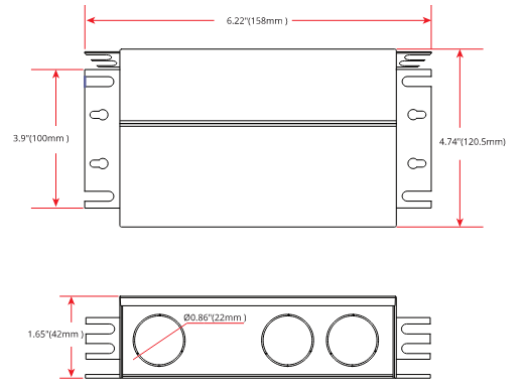
### ORDER INFORMATION

| Order Code |       |     |        |
|------------|-------|-----|--------|
| MAKE       | MODEL |     |        |
| VAN        | DVR   | 30W | 24-U5D |
|            |       | 60W |        |
|            |       | 96W |        |

### KEY DIMENSIONS

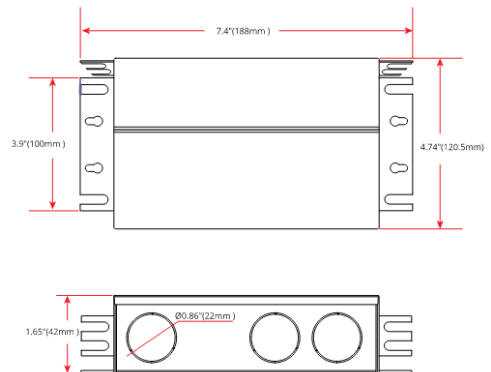
#### 30W / 60W

Length: 6.2" (158mm) Width: 4.74" (120.5mm) Height: 1.65" (42mm)



#### 96W

Length: 7.4" (188mm) Width: 4.74" (120.5mm) Height: 1.65" (42mm)



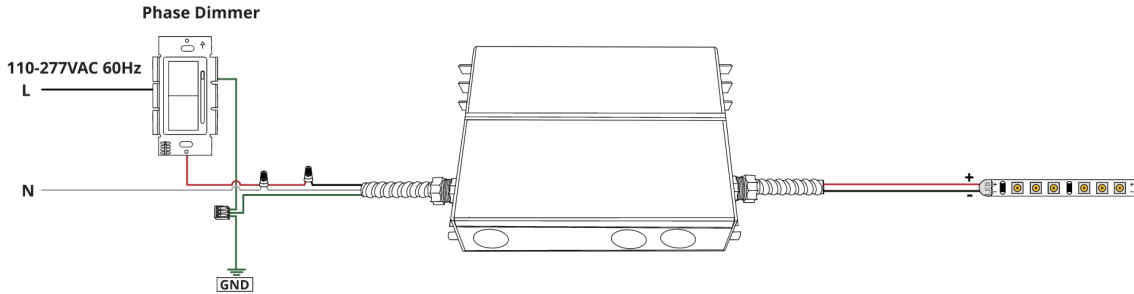
The Driver is recommended to be mounted in at least 2" of free flow air space to allow for proper ventilation.

## TECHNICAL SPECIFICATIONS

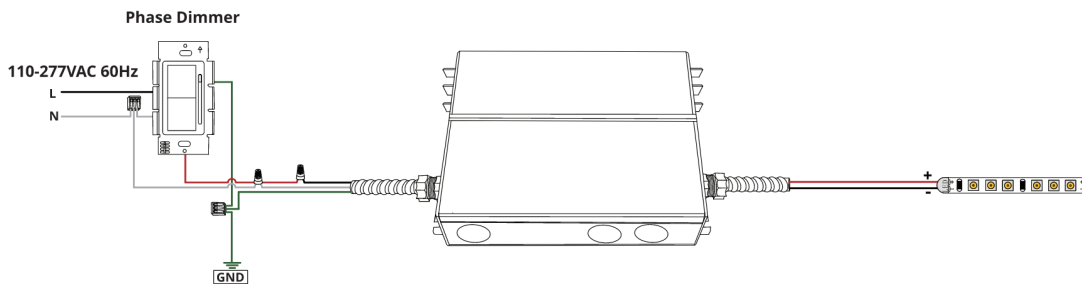
|                        | 30W DRIVER  | 60W DRIVER              | 96W DRIVER              |
|------------------------|---|-------------------------|-------------------------|
| RATED POWER:           | 30W   | 60W                     | 96W                     |
| RATED VOLTAGE:         | DC24V   |                         |                         |
| RATED CURRENT:         | 1.25A   | 2.5A                    | 4A                      |
| VOLTAGE TOLERANCE:     | ±0.5V   |                         |                         |
| VOLTAGE REGULATION:    | ±0.5%   |                         |                         |
| LOAD REGULATION:       | ±1%   |                         |                         |
| VOLTAGE RANGE:         | 110-277VAC  |                         |                         |
| FREQUENCY RANGE:       | 47-63Hz   |                         |                         |
| EFFICIENCY (TYP.):     | 85%@120VAC / 86%@227VAC   | 87%@120VAC / 88%@227VAC | 89%@120VAC / 90%@227VAC |
| THD:                   | THD<15%(@100% LOAD)   |                         |                         |
| POWER FACTOR (TYP.):   | 0.99@120VAC / 0.98@277VAC   |                         |                         |
| AC CURRENT (TYP.):     | 0.35A   | 0.65A                   | 1.02A                   |
| INRUSH CURRENT (TYP.): | 18A   | 20A                     | 25A                     |
| CURRENT LEAKAGE:       | <0.5mA  |                         |                         |
| SHORT CIRCUIT:         | HICCUP MODE, RECOVERS AUTOMATICALLY AFTER FAULT CONDITION IS REMOVED  |                         |                         |
| OVER LOAD:             | INTELLIGENTLY REDUCE THE OUTPUT VOLTAGE, AUTO-RECOVERY OR RE-POWER ON |                         |                         |
| OVER TEMPERATURE:      | 100°C±10°C SHUT DOWN O/P VOLTAGE, AUTOMATICALLY RECOVER AFTER COOLING |                         |                         |
| WORKING TEMP:          | TCASE=-40~+140°F (-40~+60°C)  |                         |                         |
| WORKING HUMIDITY:      | 20~95% RH NON-CONDENSING  |                         |                         |
| STORAGE TEMP HUMIDITY: | -40~+194°F (-40~+90°C), 10~95% RH                                     |                         |                         |
| TEMP COEFFICIENT:      | ±0.03%/°C (0~50°C)  |                         |                         |
| VIBRATION:             | 10~500Hz, 5G 10min./1 cycle, period for 60min                         |                         |                         |
| SAFETY STANDARDS:      | UL8750, CAN/CSA-C22.2 No. 250.13, CLASS 2                             |                         |                         |
| WITHSTAND VOLTAGE:     | I/P-O/P:1.88KVAC  |                         |                         |
| ISOLATION RESISTANCE:  | I/P-O/P:100MΩ / 500VDC / 25°C / 70% RH                                |                         |                         |
| EMC EMISSION:          | COMPLIANCE TO FCC PART 15, SUBPART B                                  |                         |                         |

WIRING DIAGRAMS

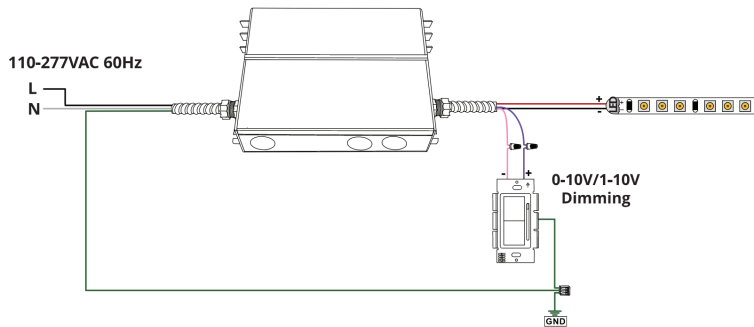
MLV TRIAC DIMMING



ELV DIMMING



0-10V / 1-10V DIMMING (The Driver is Independantly Connected to the Input)



0-10V / 1-10V DIMMING (The Driver Input is Connected to the Dimmer)

