

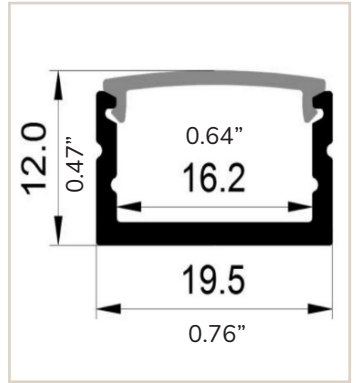
Project Name:	Type:
Product Code:	Date:

## VANILLA 2016H PROFILE



### 2016H PROFILE

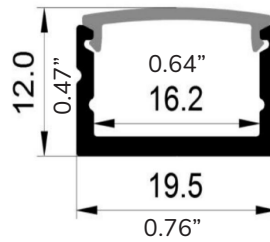
The Vanilla 2016H Profile is a angular 19.5mm x 12mm (0.76" x 0.47") channel that facilitates our 6mm (0.24"), 8mm (0.31"), 10mm (0.4") and 12mm (0.47") LED tape. The LED tape is Eco design certified and due to this operates for longer with better energy efficiency. The profile and tape come together to create a modern and sleek look for any interior application. IP20



## PROFILE PERFORMANCE

MATERIAL:	ALUMINIUM
LENGTH:	8 FEET
RATING:	IP20 - DRY LOCATION
FINISH:	ALUMINIUM
LENS:	OPAL DOT FREE

## KEY DIMENSIONS



## LED PERFORMANCE

	Warm Dim		RGBW	
POWER:	3.7W/ft (12W/M)	4.4W/ft (14.4W/M)	5.5W/ft (18W/M)	6.7W/ft (22W/M)
LUMENS:	500 Lm/ft (1650 Lm/m)	750 Lm/ft (2450 Lm/m)	930 Lm/ft (3050 Lm/m)	400 Lm/ft (1320 Lm/m)
VOLTAGE:	24V			
CRI:	90+			
IP LISTING:	IP20			
CCT:	2400K / 2700K / 3000K		1800K-3000K	RGBW



## ORDER INFORMATION

Order Code							
MAKE	PROFILE	FINISHES	LENGTH	LENS	ACCESSORIES		
VAN	LPR-2016H	AL Aluminium	8** XX**	OP Opal***	EC End Cap	CLP Clip	

## COMPATIBLE LED TAPE

Order Code		
MAKE	TAPE	CCT
VAN	LPRT-3.7W	2400K
	LPRT-4.4W	2700K
	LPRT-5.5W	3000K
	LPRT-5.5W	1800K-3000K
	LPRT-7W	RGBW

\*8FT BULK-ORDER FIELD CUTTABLE  
 \*\*PREASSEMBLED ON REQUEST  
 \*\*\*OPAL LENS DOT FREE (light transmittance 30-40%)



Imported by the Lighting Group Network (LGN).  
<https://www.lightinggroupnetwork.com>

Lighting Group Network is the premier importer of European lighting products. We specialize in tailoring products from around the world to make them compliant with every North American market. From component sourcing, to full listings, Lighting Group Network has the engineering background to bring any manufacturer or product to full local compliance.

IP20  
 FOR INTERIOR USE ONLY.  
 3 YEAR WARRANTY