

Project Name:	Type:
Product Code:	Date:

## VANILLA LARGE 3 ADJUSTABLE DOWNLIGHT

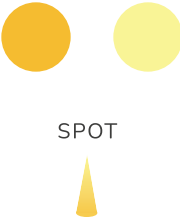
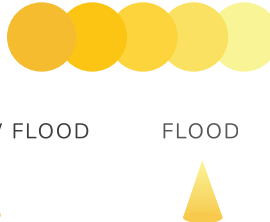



### Vanilla Large 3 Adjustable Downlight

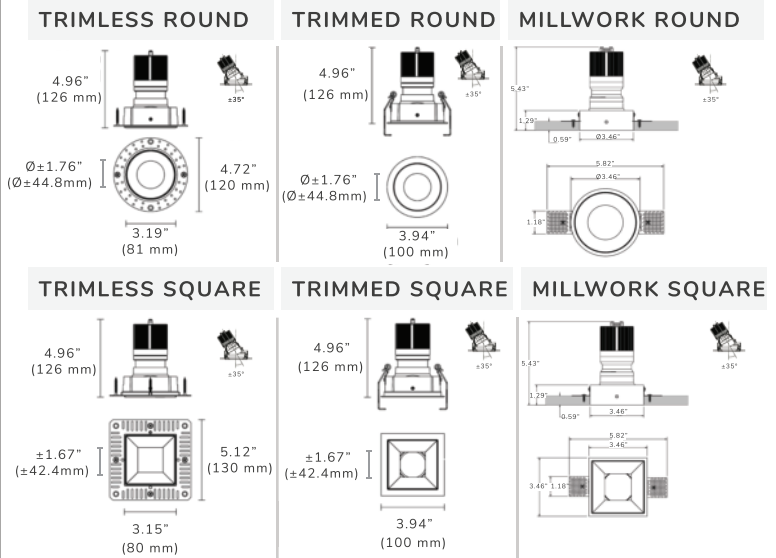
The Vanilla product family is a recessed adjustable downlight providing high visual comfort thanks to a deep recessed LED Engine. Vanilla comes with a modular and tool free LED-engine and optical accessories that are field changeable. Fixture is serviceable through the aperture. The Body is made of high grade Aluminum. The fixture is tilttable vertically 0-35° and rotatable horizontally 355°. Adjustable 35° always inside ceiling level. The fixtures is provided standard with retrofit housing. IC (title 24) housing available as an option for 3 inch version of fixture.



### PERFORMANCE

	STATIC WHITE LED	WARM DIM LED	
CCT:	2700K / 3000K	1800K - 3000K	
CRI:	97 CRI	90 CRI	
WATTAGE:	12 WATTS (350 mA)	10 WATTS (350 mA)	
LUMENS:	1060 Delivered	998 Delivered	
SDMC:	2 Step	2 Step	
CCT:	2700K    3000K	1800K ——— 3000K	
BEAM SPREAD	 SPOT	 NARROW FLOOD	 FLOOD

### KEY DIMENSIONS

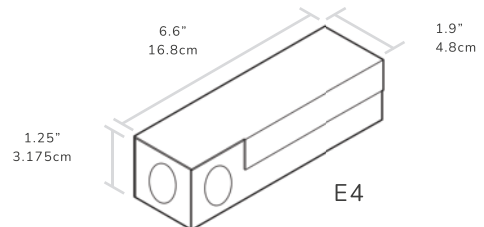


### DRIVER SPECIFICATIONS

	STATIC WHITE (E4)	WARM DIM (EW)
DIMMING:	ELV 2 Wire	ELV 2 Wire
LED CLASS:	2 Output	2 Output
AC INPUT	110-277 VAC 0.23 - 0.09A 50/60 HZ	110 - 277 VAC 0.23-0.09A 50/60 Hz
DC OUTPUT:	350mA	350mA

### HOUSING SPECIFICATIONS

#### RETROFIT DRIVE ENCLOSURE SPECS | C-06



#### ELV Standard 2-Wire Dimming




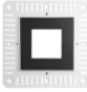

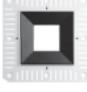

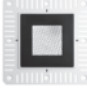

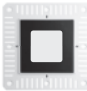
\*FOR OTHER DIMMING STYLES CONTACT LGN

**TRIM OPTIONS**

**R4 - ROUND**

TRIM TYPE	TL TRIMLESS	TR TRIMMED	FINISH
<b>FX FLAT</b> IP20 (DRY)			 W WHITE
<b>CX CONCAVE</b> IP20 (DRY)			 B BLACK
<b>FH FLAT HEXCELL</b> IP20 (DRY)			 C CUSTOM
<b>FS FLAT SOLITE</b> IP44 (WET)			
<b>CS CONCAVE SOLITE</b> IP44 (WET)			

**S4 - SQUARE**

<b>FX FLAT</b> IP20 (DRY)			
<b>CX CONCAVE</b> IP20 (DRY)			
<b>FH FLAT HEXCELL</b> IP20 (DRY)			
<b>FS FLAT SOLITE</b> IP44 (WET)			

### ORDER INFORMATION

#### Order Code

VAN	PROFILE	TRIM TYPE	FINISH	TEMP	OPTICS	DRIVER	DRIVER	ACCESSORIES
VAN	RTR4 ROUND TRIMMED	FX FLAT IP20	W WHITE	274 2700K	11	E4 ELV	RT RETROFIT	X2 2 FIXTURE TRIMLESS MUD KIT
	RTL4 ROUND TRIMLESS	CX CONCAVE - IP20	B BLACK	304 3000K	23	XX OTHER**	IC IC (TITLE 24)	X4 4 FIXTURE TRIMLESS MUD KIT
	STR4 SQUARE TRIMMED	FH FLAT HEXCELL -IP20	C CUSTOM *		34			
	STL4 SQUARE TRIMLESS	FS FLAT SOLITE SHOWER - IP44		WD4 (1800 K - 3000K)	20	EW ELV**		
	RML4 ROUND MILLWORK	CS CONCAVE SOLITE SHOWER -IP44			30			
	SML4 SQUARE MILLWORK				38			
					60			

\*CUSTOM FINISHES REQUIRE A MINIMUM QUANTITY OF 25 FIXTURES

\*\*OTHER DIMMING OPTIONS AVAILABLE UPON REQUEST

\*\*\* IC HOUSING REQUIRED FOR JA8 T24 COMPLIANCE

\*\*\*\*CONCAVE SOLITE ONLY AVAILABLE ON ROUND TRIM TYPE

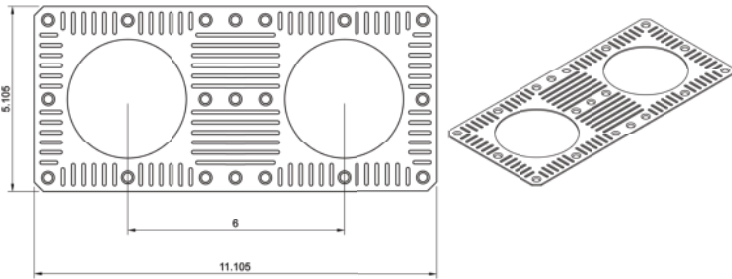
\*\*\*\*\* ONLY CONCAVE SQUARE MILLWORK TRIM IS AVAILABLE

\*\*\*\*\* IC HOUSING IS NOT COMPATIBLE WITH THE X2 or X4 ACCESSORIES

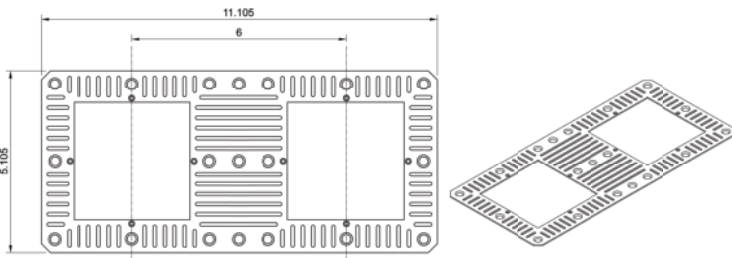
### ACCESSORIES

#### Multi X2 - 6" Center to Center Spacing

##### ROUND

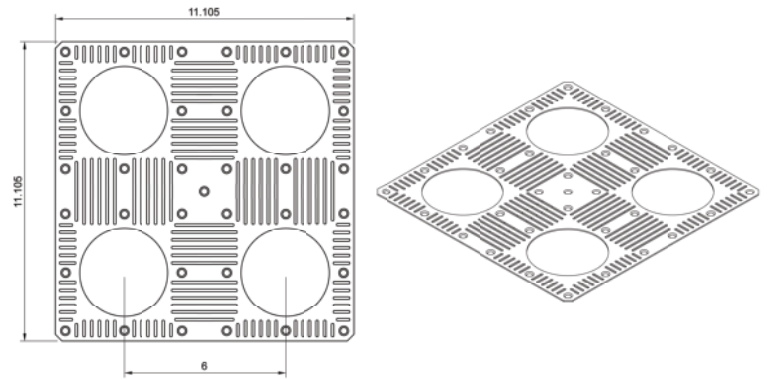


##### SQUARE

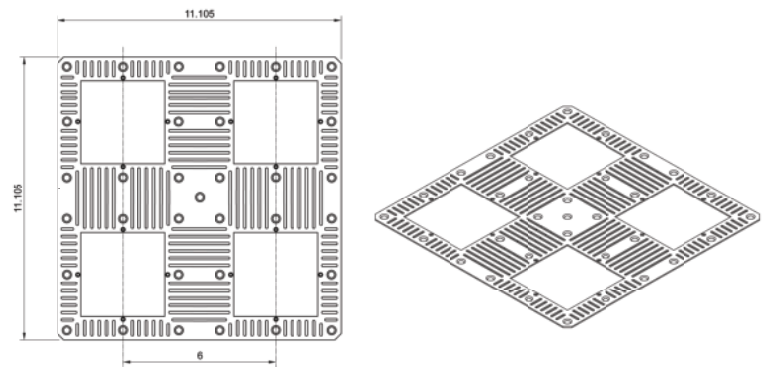


#### Multi X4 - 6" Center to Center Spacing

##### ROUND



##### SQUARE



**Fixture Components**

Housing/Enclosure		<b>Power Source</b> 120 V Connection	<b>Housing Enclosure Options</b> RT - Retrofit Retrofit housing for all other
Driver		<b>Housing/ Enclosure</b> Above ceiling IC housing or Above ceiling RT Retrofit Housing enclosure for ELV driver and line voltage connection	
Light Source		<b>Driver</b> Low Voltage ELV Standard 2 Wire Dimming. Other Dimming Styles available through custom orders. Contact LGN.	<b>IC - Insulated Ceilings</b> IC Housing required for Insulated ceilings. Required JA8 T24 Compliance
Optics		<b>Light Source</b> LED engine with 3 CCT options. Adjustable gimbal trim allows for aimable spot lighting.	
		<b>Optics</b> Field-interchangeable optic reflectors with spot, narrow flood, and wide flood beam spread options.	

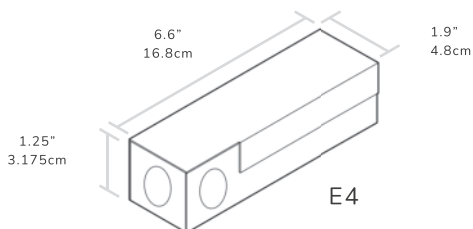
**Housing / Retrofit Enclosure Specifications**

**E4 (3 Inch) Product Data**

**RT - Retrofit**

**Specifications:**

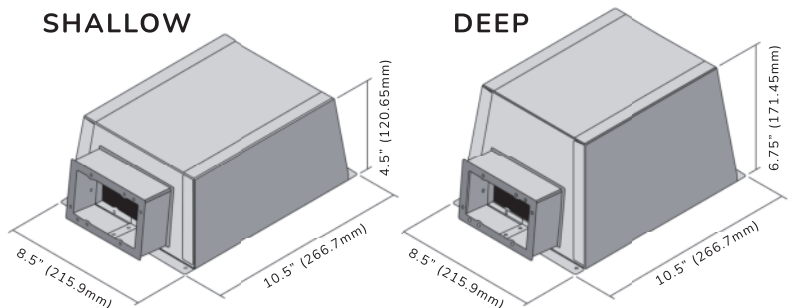
Dimensions: 6.6" (16.8cm) x 1.9" (4.8cm) x 1.25" (3.175cm)  
 IP Rating: IP 20  
 Light Source: LED  
 AC Input: 110-277 VAC - 0.23-0.09A 50/60 Hz



**IC - Insulated Ceiling Housing Enclosure (IC TITLE 24)**

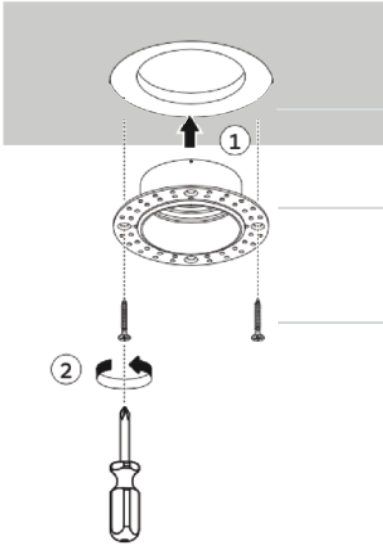
**Specifications:**

Dimensions: Shallow: 8.5"x10.5"x4.5" | Deep: 8.5"x10.5"x6.75"  
 IP Rating: IP 20  
 Light Source: LED  
 AC Input: 110-277 VAC - 0.23-0.09A 50/60 Hz



**INSTALLATION GUIDE**

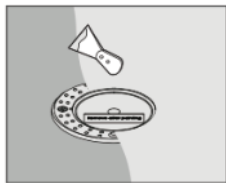
**Trimless**



**Ceiling Cutout:**  
3 5/8 inches / 92 mm

**MUD PLATE**  
Required for installation in ceiling cutout

**Screws**  
Plaster rig is installed at ceiling cutout using screws

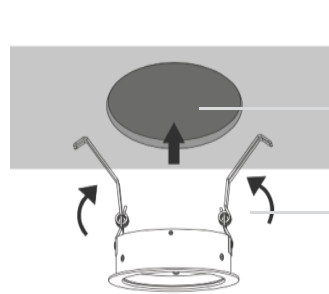


**Plaster**  
Before plastering and painting, cover the opening with cardboard.



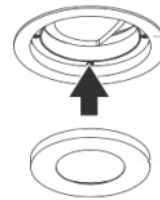
**Paint**  
Once finished painting and plastering remove the cardboard cover.

**Trimmed**



**Ceiling Cutout:**  
3.6 inches/92 mm

**Butterfly Clips**  
Hold trimless fixtures in place

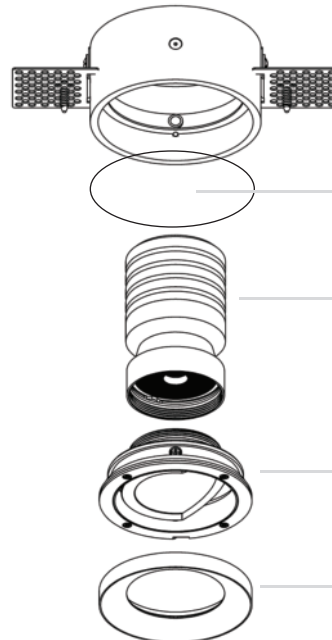


**Gimbal Magnets**  
The gimbal snaps into place via magnets within the trim



**Trim Magnets**  
The trim type also snaps into place using magnets for stress free installations

**Millwork**



**Millwork Mount:**  
Installed from the back, with two set screws, height adjustable

**Millwork Cutout:**  
Round: 3.46" (88mm)  
Square: 3.46"x3.46" (88x88mm)  
see dimensions above for fixture measurements

**LED Module**  
Attached to the adjustable ring will snap into the Millwork mount

**Adjustable Ring**  
Snaps into the Millwork mount

**Trim Magnets**  
The trim type also snaps into place using magnets for stress free installations