

Project Name:	Type:
Product Code:	Date:

## VANILLA SMALL 2 ADJUSTABLE DOWNLIGHT



### Vanilla Small 2 Adjustable Downlight

The Vanilla product family is a small recessed adjustable downlight providing high visual comfort thanks to a deep recessed LED Engine. Vanilla comes with a modular and tool free LED-engine and optical accessories that are field changeable. Fixture is serviceable through the aperture.

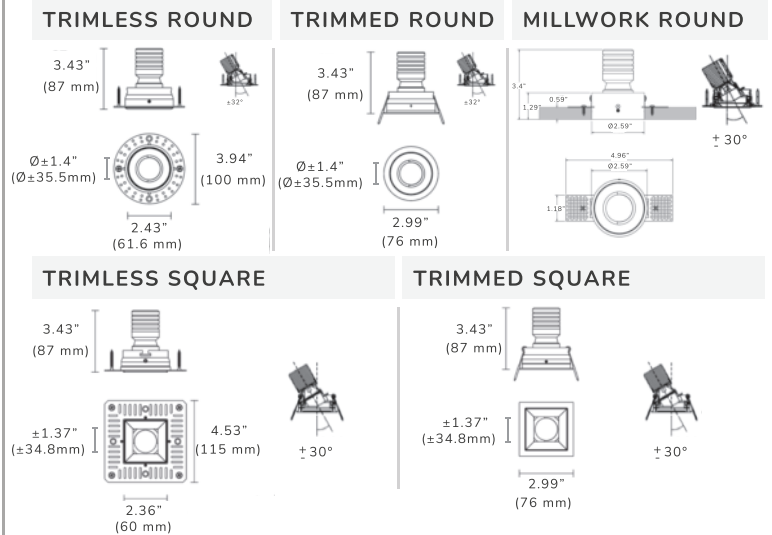
The Body is made of high grade Aluminum. The fixture is tilttable vertically 0-32° and rotatable horizontally 355°. Adjustable 32° always inside ceiling level. The fixtures is provided standard with retrofit housing.



### PERFORMANCE

	STATIC WHITE LED	WARM DIM LED
<b>CCT:</b>	2700K / 3000K	1800K - 3000K
<b>CRI:</b>	97 CRI / 10° 90 CRI	90 CRI
<b>WATTAGE:</b>	9 W(250 mA) / 10° 10 W(700mA)	6 WATTS (350 mA)
<b>LUMENS:</b>	766 Delivered / 10° 1200 Delivered	553 Delivered
<b>SDMC:</b>	2 Step / 10° 2 Step	2 Step
<b>CCT:</b>	2700K    3000K	1800K ——— 3000K
<b>BEAM SPREAD:</b>	SPOT    NARROW FLOOD    FLOOD	

### KEY DIMENSIONS

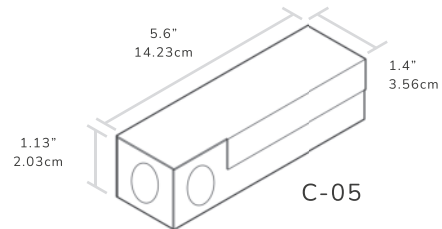


### DRIVER SPECIFICATIONS

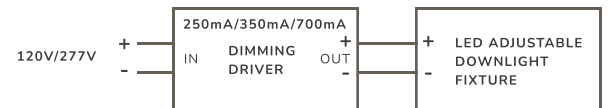
	STATIC WHITE		WARM DIM
<b>DRIVER:</b>	E3	E7	EW
<b>DIMMING PROTOCOL:</b>	ELV 2 Wire	ELV 2 Wire	ELV 2 Wire
<b>LED CLASS:</b>	2 Output	2 Output	2 Output
<b>AC INPUT</b>	110-277VAC 120-50 mA 47-63 HZ	120 V AC 0-11 mA 47-63 HZ	120 V AC 0.11 A 47-63 Hz
<b>DC OUTPUT:</b>	250mA	700mA	350mA

### HOUSING SPECIFICATIONS

#### RETROFIT DRIVE ENCLOSURE SPECS | C-05



#### ELV Standard 2-Wire Dimming



\*FOR OTHER DIMMING STYLES CONTACT LGN

\*\* 250MA DRIVER FOR STATIC WHITE / 350MA DRIVER FOR WARM DIM

**TRIM OPTIONS**

**R3 - ROUND**

TRIM TYPE	TL TRIMLESS	TR TRIMMED	FINISH
<b>FX FLAT</b> IP20 (DRY)			 W WHITE
<b>CX CONCAVE</b> IP20 (DRY)			 B BLACK
<b>FH FLAT HEXCELL</b> IP20 (DRY)			 C CUSTOM
<b>FS FLAT SOLITE SHOWER</b> IP44 (WET)			
<b>CS CONCAVE SOLITE SHOWER</b> IP44 (WET)			

**S3 - SQUARE**

<b>FX FLAT</b> IP20 (DRY)		
<b>CX CONCAVE</b> IP20 (DRY)		
<b>FH FLAT HEXCELL</b> IP20 (DRY)		
<b>FS FLAT SOLITE SHOWER</b> IP44 (WET)		

**ORDER INFORMATION**

**Order Code**

VAN	PROFILE	TRIM TYPE	FINISH	TEMP	OPTICS	DRIVER	HOUSING	ACCESSORIES
VAN	RTR3 ROUND TRIMMED	FX FLAT IP20	W WHITE	273 2700K	10	E7 ELV**	RT RETROFIT	X2 2 FIXTURE TRIMLESS MUD KIT X4 4 FIXTURE TRIMLESS MUD KIT
	RTL3 ROUND TRIMLESS	CX CONCAVE - IP20	B BLACK	303 3000K	18	E3 ELV		
	STR3 SQUARE TRIMMED	FH FLAT HEXCELL -IP20	C CUSTOM *		24	XX OTHER***		
	STL3 SQUARE TRIMLESS	FS FLAT SOLITE SHOWER - IP44			34			
	RML3 ROUND MILLWORK	CS CONCAVE SOLITE SHOWER -IP44		WD3 (1800 K - 3000K)	17	EW ELV		
					27			
					35			
					62			

\*CUSTOM FINISHES REQUIRE A MINIMUM QUANTITY OF 25 FIXTURES

\*\*E7 DRIVER FOR 10 DEGREE OPTIC ONLY

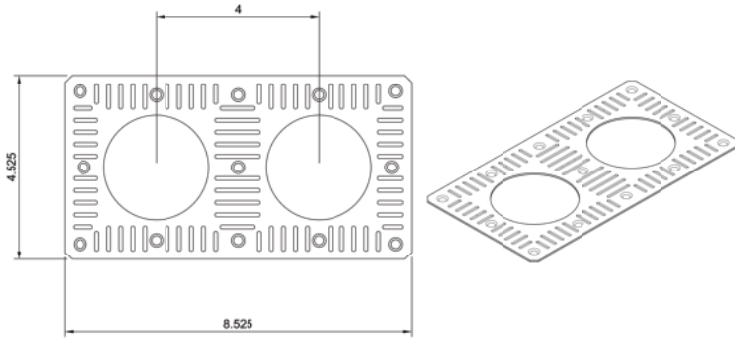
\*\*\*OTHER DIMMING OPTIONS AVAILABLE UPON REQUEST

\*\*\*\*CONCAVE SOLITE ONLY AVAILABLE ON ROUND TRIM TYPE

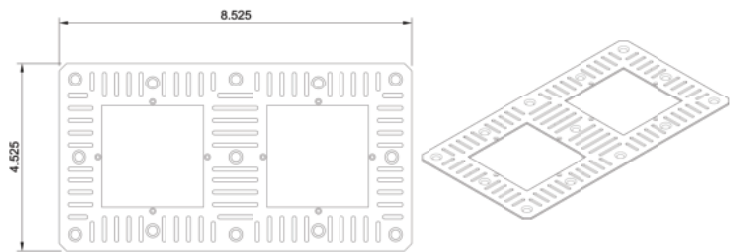
**ACCESSORIES**

**X2 - 4" Center to Center Spacing**

**ROUND**

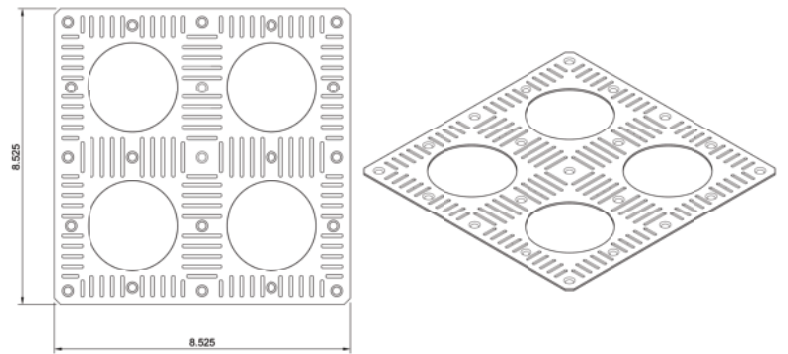


**SQUARE**

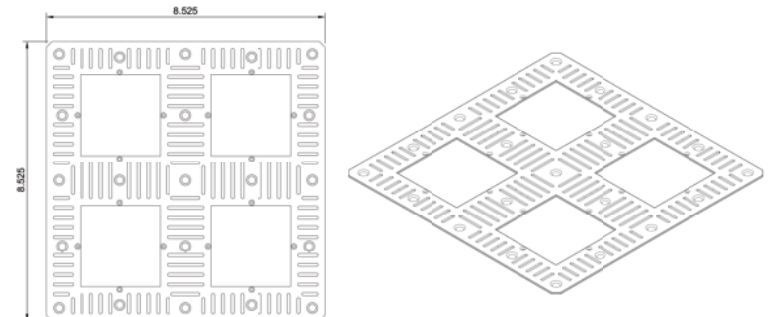


**X4 - 4" Center to Center Spacing**

**ROUND**



**SQUARE**



## Fixture Components

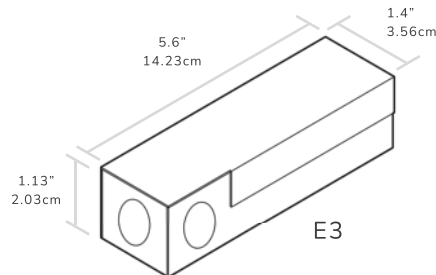


## Housing / Retrofit Enclosure Specifications

### E3 (2 Inch) Product Data

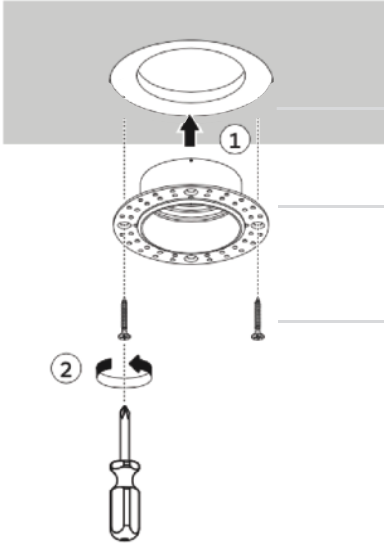
#### Specifications:

Dimensions:	5.6" (14.23cm) x 1.4" (3.56cm) x 1.13" (2.03cm)
IP Rating:	IP 20
Light Source:	LED
AC Input:	110-277 VAC - 120-50mA 47-63 Hz



**INSTALLATION GUIDE**

**Trimless**



**Ceiling Cutout:**  
2 3/4 inches / 70 mm

**MUD PLATE**  
Required for installation in ceiling cutout

**Screws**  
Plaster rig is installed at ceiling cutout using screws

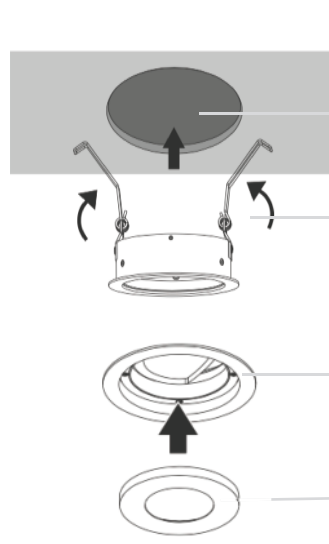


**Plaster**  
Before plastering and painting, cover the opening with cardboard.



**Paint**  
Once finished painting and plastering remove the cardboard cover.

**Trimmed**



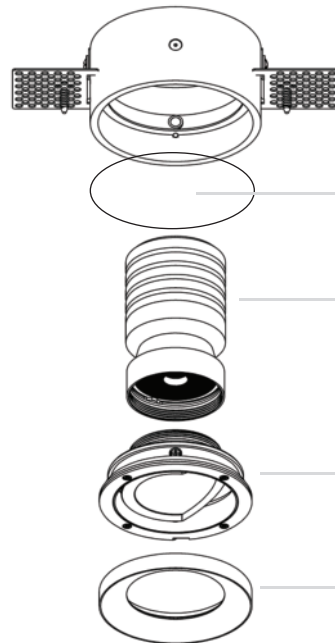
**Ceiling Cutout:**  
2.76 inches/70 mm

**Butterfly Clips**  
Hold trimless fixtures in place

**Gimbal Magnets**  
The gimbal snaps into place via magnets within the trim

**Trim Magnets**  
The trim type also snaps into place using magnets for stress free installations

**Millwork**



**Millwork Mount:**  
Installed from the back, with two set screws, height adjustable

**Millwork Cutout:**  
2.59 inches/66 mm  
see dimensions above for fixture measurements

**LED Module**  
Attached to the adjustable ring will snap into the Millwork mount

**Adjustable Ring**  
Snaps into the Millwork mount

**Trim Magnets**  
The trim type also snaps into place using magnets for stress free installations