

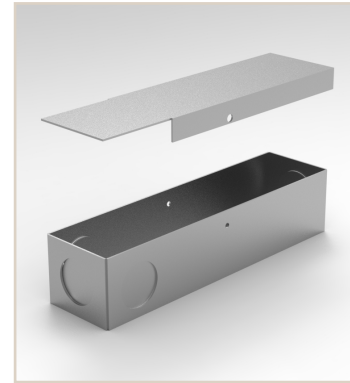
Project Name:	Type:
Product Code:	Date:

## VANILLA 10W CC DRIVER



### 10W CC DRIVER

The Vanilla 10W CC Driver is a constant current driver with multiple dimming options. The 5 in 1 dimming options are, Triac, 0-10V, 1-10V, Potentiometer, 10V. The driver has a dimming range of 1-100%. Along with this the driver has short circuit and over temperature protection. The drivers come with the C-05 enclosure.



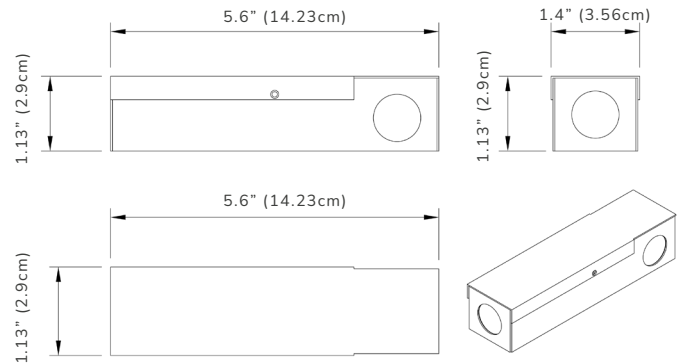
## PERFORMANCE

	<b>5 IN 1 DIMMING LED DRIVER</b>
	<b>10W</b>
<b>VOLTAGE:</b>	100-277VAC
<b>DIMMING RANGE:</b>	1-100% (FLICKER FREE)
<b>OUTPUT:</b>	CONSTANT CURRENT
<b>CLASS:</b>	CLASS 2 / CLASS P
<b>CURRENT TOLERANCE:</b>	±5%
<b>ENCLOSURE:</b>	C-05 (INCLUDED)
<b>DIMMING:</b>	Triac / 0-10V / 1-10V / 10V PWM / POTENTIOMETER
<b>STANDARD:</b>	UL8750, CLASS 2
<b>WORKING TEMP:</b>	-40~+140°F (-40~+60°C)
<b>RATING:</b>	IP20

## KEY DIMENSIONS

### 10W | C-05

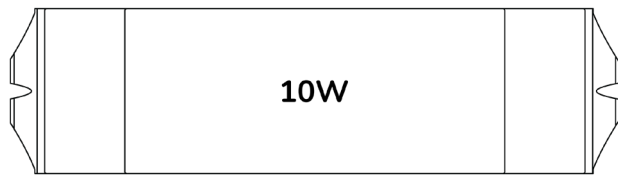
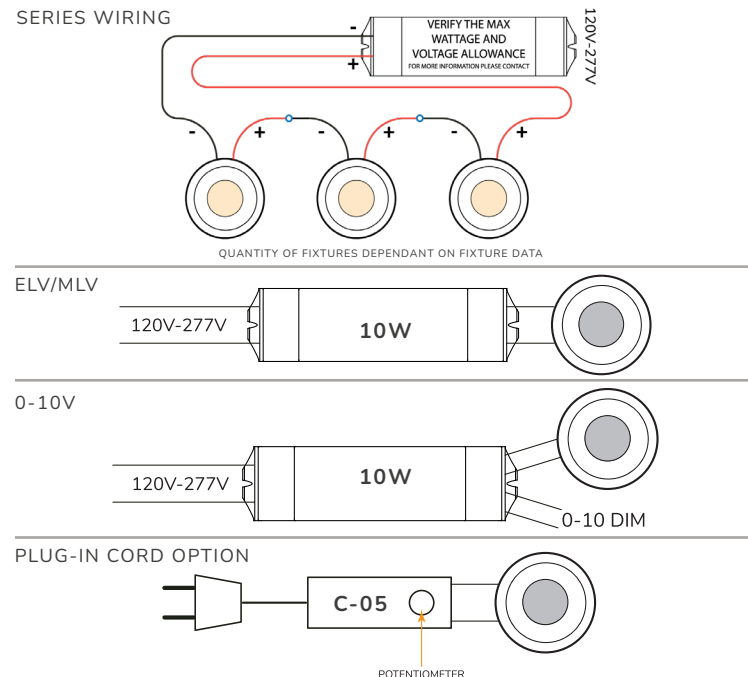
Length: 5.6" (14.23cm) Width: 1.4" (3.56cm) Height: 1.13" (2.93cm)



The Driver is recommended to be mounted in at least 2" of free flow air space to allow for proper ventilation.

## WIRING DIAGRAM - max 70FT - NO HOT START

**10W - MULTIPLE FIXTURES REQUIRE WIRING IN SERIES**  
TERMINAL WIRING GAUGE MAX SIZE AWG#16



W : 1.16" H : 0.79" L : 5.3"

## ORDER INFORMATION

### Order Code

MAKE	MODEL
VAN	DVR 10W CC-USD

OPTION  
PLUG-IN AND 6' CORD + POTENTIOMETER

## TECHNICAL SPECIFICATIONS

### 10W DRIVER

RATED CURRENT:	130mA	180mA	250mA	300mA	350mA	400mA	470mA	520mA
ON OFF	TTT	TTT	TTT	TTT	TTT	TTT	TTT	TTT
CURRENT TOLERANCE:	±5%							
DC VOLTAGE:	3-42V	3-42V	3-40V	3-33V	3-29V	3-25V	3-22V	3-20V
RATED POWER:	4.2W	6.3W	8.4W	10W	10W	10W	10W	10W
RATED INPUT VOLTAGE:	100-277VAC							
RATED FREQUENCY:	47-63Hz							
POWER FACTOR:	99%@120VAC 60Hz   94%@277VAC 60Hz							
EFFICIENCY (Typ.):	76.01%@120VAC 60Hz   76.02%@277VAC 60Hz							
AC CURRENT (MAX):	0.138A							
INRUSH CURRENT (Typ.):	3.97A,4.4US @ 50%IPEAK @ 120V   9.17A,4.4US @ 50%IPEAK @ 277V							
LEAKAGE CURRENT:	<0.50mA							
SHORT CIRCUIT:	CONSTANT CURRENT MODE, RECOVERS AUTOMATICALLY AFTER FAULT CONDITION IS REMOVED							
OUTPUT NO-LOAD VOLTAGE:	48-54V							
OVER TEMPERATURE:	AMBIENT TEMP. OVER 50±5°C (122±9°F), OUTPUT CURRENT WILL BE REDUCED TO 50%; AMBIENT TEMP. OVER 60±5°C (140±9°F), OUTPUT WILL BE OFF, RECOVERS AUTOMATICALLY							
PROTECTION CLASS:	CLASS 2							
WORKING TEMP:	-40-+60°C (-40-+140°F)							
WORKING HUMIDITY:	20-90%RH, NON-CONDENSING							
STORAGE TEMP:	-40-+80°C (-40-+176°F)							
STORAGE HUMIDITY:	10-95%RH							
TEMP COEFFICIENT:	±0.03%/°C (0-50°C) (32-122°F)							
VIBRATION:	10-500Hz, 2G 10min./1 CYCLE, PERIOD FOR 60min. EACH ALONG X,Y,Z AXIS							
SAFETY STANDARDS:	UL8750							
WITHSTAND VOLTAGE:	I/P-O/P:1.80KVAC							
ISOLATION RESISTANCE:	I/P-O/P:100MΩ / 500VDC / 25°C / 70%RH							
EMC EMISSION:	FCC 47 CFR PART 15, SUBPART B							