

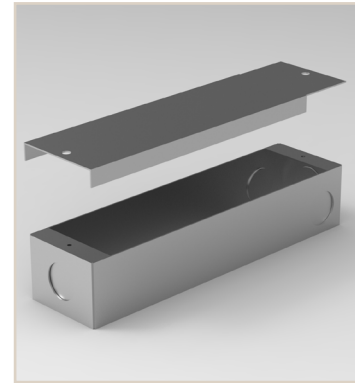
Project Name:	Type:
Product Code:	Date:

VANILLA DALI-2 20W CC DRIVER



DALI-2 20W CC DRIVER

The Vanilla DALI-2 20W CC Driver is a constant current driver with DALI-2 control. The driver has a dimming range of 1-100%. Along with this the driver has short circuit and over temperature protection. The drivers come with the C-06 enclosure.



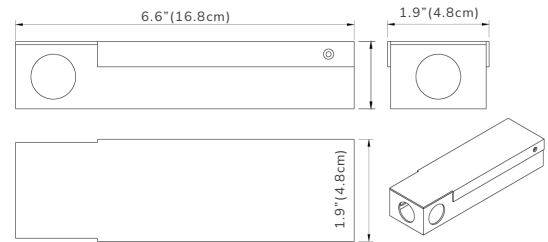
PERFORMANCE

	DALI-2 DIMMING LED DRIVER
	20W
VOLTAGE:	100-277VAC
DIMMING RANGE:	1-100% (FLICKER FREE)
OUTPUT:	CONSTANT CURRENT
CLASS:	CLASS 2 / CLASS P
CURRENT TOLERANCE:	±5%
ENCLOSURE:	C-06 (INCLUDED)
DIMMING:	DALI-2
STANDARD:	UL8750, CLASS 2
WORKING TEMP:	-40~+140°F (-40~+60°C)
RATING:	IP20

KEY DIMENSIONS

20W CC DALI-2 | C-06

Length: 6.6" (16.8cm) Width: 1.9" (4.8cm) Height: 1.25" (3.175cm)

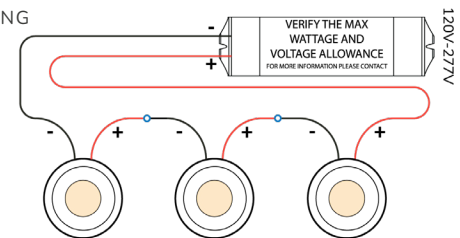


The Driver is recommended to be mounted in at least 2" of free flow air space to allow for proper ventilation.

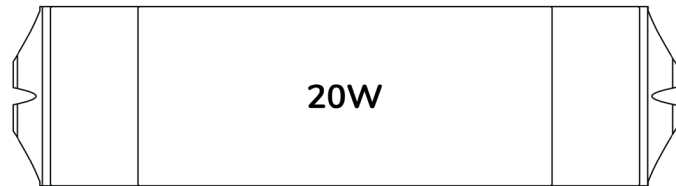
WIRING DIAGRAM - MAX 70FT NO HOT START

20W DALI-2 - MULTIPLE FIXTURES REQUIRE WIRING IN SERIES
TERMINAL WIRING GAUGE MAX SIZE AWG#16

SERIES WIRING



QUANTITY OF FIXTURES DEPENDANT ON FIXTURE DATA



20W

W : 1.7" H : 0.79" L : 6.28"

ORDER INFORMATION

Order Code

MAKE	MODEL
VAN	DVR 20W CC-DALI

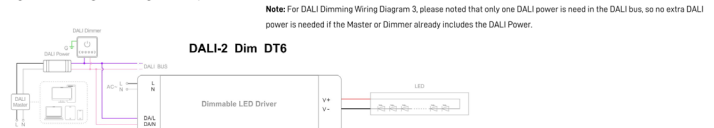
Using DALI-2 dimming with DALI power and dimmer



Using DALI-2 dimming with DALI system and DALI bus



Using DALI-2 dimming with intelligent device, DALI master and dimmer



TECHNICAL SPECIFICATIONS

20W DALI-2 DRIVER | UL, cUL, ICES-005, ENEC, CE, SAA, Class P, Class 2, SELV, ROHS, REACH

RATED CURRENT:									
CURRENT TOLERANCE:	±5%								
DC VOLTAGE:	3-42V	3-42V	3-42V	3-42V	3-40V	3-36V	3-33V	3-29V	
RATED POWER:	10.5W	14.7W	16.8W	18.9W	20W	19.8W	19.8W	20.3W	
RATED INPUT VOLTAGE:	100-277VAC								
RATED FREQUENCY:	50 / 60Hz								
POWER FACTOR@FULL LOAD:	>0.9								
EFFICIENCY (Typ.):	83%@120VAC 60Hz 82%@230VAC 50Hz 81%@277VAC 60Hz								
AC CURRENT (MAX):	0.27A								
INRUSH CURRENT:	1.4A, 33.0us@50%lpeak 120V 60Hz 4.5A, 23.6us@50%lpeak 230V 50Hz 7.2A, 20.6us@50%lpeak 277V 60Hz								
LEAKAGE CURRENT:	<0.50mA								
SHORT CIRCUIT:	CONSTANT CURRENT MODE, RECOVERS AUTOMATICALLY AFTER FAULT CONDITION IS REMOVED								
NO-LOAD VOLTAGE:	52V MAX								
OVER TEMPERATURE:	AMBIENT TEMP. OVER 50±5°C (122±9°F), OUTPUT CURRENT WILL BE REDUCED TO 50%; AMBIENT TEMP. OVER 60±5°C (140±9°F), OUTPUT WILL BE OFF, RECOVERS AUTOMATICALLY								
PROTECTION CLASS:	CLASS 2 CLASS P								
WORKING TEMP:	-40-+50°C (-40-+122°F)								
WORKING HUMIDITY:	20-90%RH, NON-CONDENSING								
STORAGE TEMP:	-40-+80°C (-40-+176°F)								
STORAGE HUMIDITY:	10-95%RH								
TEMP COEFFICIENT:	±0.03%/°C (0-50°C) (32-122°F)								
VIBRATION:	10-500Hz, 2G 12min./1 CYCLE, PERIOD FOR 72min. EACH ALONG X,Y,Z AXIS								
SAFETY STANDARDS:	EN61347-1; EN61347-2-13 UL8750; CAN/CSA-C22.2 No.250.13								
WITHSTAND VOLTAGE:	I/P-O/P:1.88KVAC								
ISOLATION RESISTANCE:	I/P-O/P:100MΩ / 500VDC / 25°C / 70%RH								
EMC EMISSION:	EN55015; EN61000-3-2,3 FCC Part 15 Subpart B; ICES-005 Issue 5; ANSI C63.4a-2017								