

Project Name:	Type:
Product Code:	Date:

VANILLA 288W CONSTANT VOLTAGE DRIVER




VANILLA 288W CONSTANT VOLTAGE DRIVER

The Vanilla 288W (3CHx96W) Constant Voltage Driver is a constant voltage, fine tune driver. It features 5 in 1 Dimming: Triac, 0-10V, 1-10V, 10V PWM and, Potentiometer Dimming. Along with this there is Triac Dim Mode allowing: Forward Phase / Reverse Phase / MLV and ELV. It has a dimming range of 0.1-100% that is flicker free. Along with this it features Short-Circuit protection, Over-Temperature Protection and, Over-Load Protection. It has a very low loading request working perfectly at 10%-100%. Along with this the driver is included in a high quality aluminium housing for dry, damp and wet location.

PERFORMANCE

5 IN 1 DIMMING LED DRIVER

288W (3CHx96W)

VOLTAGE:	110-277VAC
DIMMING RANGE:	0.1-100% (FLICKER FREE)
OUTPUT:	24V
ENCLOSURE:	ALUMINIUM
DIMMING:	MLV Triac / ELV / 0-10V / 1-10V / 10V PWM / POTENIOMETER
STANDARD:	UL8750, CLASS 2
WORKING TEMP:	-40~+140°F (-40~+60°C)
OUTPUT VOLTAGE TUNING:	17V-25V  (Blue Knob)

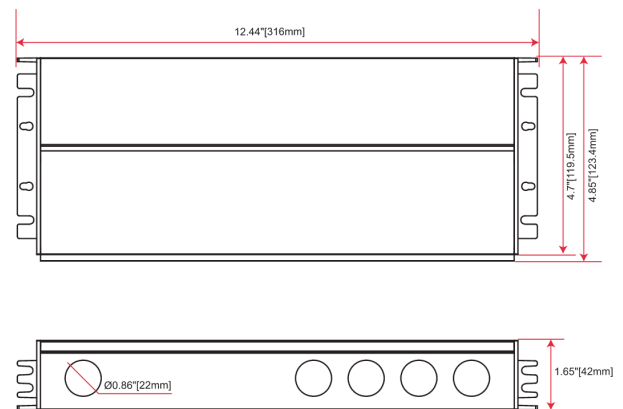
FREQUENCY ADJUSTMENT (Black Knob)

0:4000Hz	5:2000Hz
1:250Hz	6:3600Hz
2:400Hz	7:8000Hz
3:800Hz	8:16000Hz
4:1470Hz	9:20000Hz

KEY DIMENSIONS

288W

Length: 12.44" (316mm) Width: 4.85" (123.4mm) Height: 1.65" (42mm)



The Driver is recommended to be mounted in at least 2" of free flow air space to allow for proper ventilation.

ORDER INFORMATION

Order Code

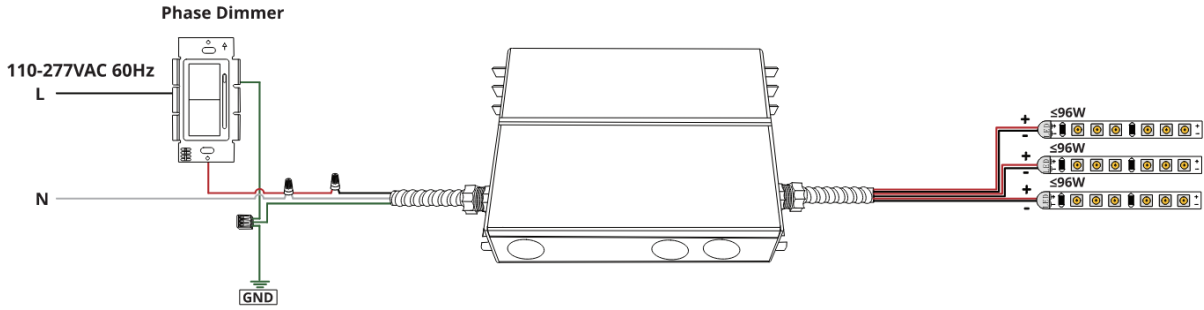
MAKE	MODEL
VAN	DVR 288W 24-USD

TECHNICAL SPECIFICATIONS

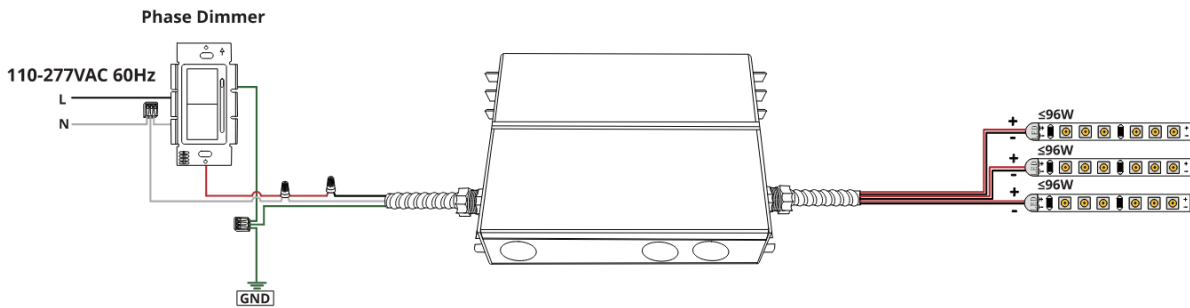
288W DRIVER (3CHx96W)	
RATED POWER:	288W
RATED VOLTAGE:	DC24V
RATED CURRENT:	3CH*4A
VOLTAGE TOLERANCE:	±0.5V
VOLTAGE REGULATION:	±0.5%
LOAD REGULATION:	±1%
VOLTAGE RANGE:	110-277VAC
FREQUENCY RANGE:	47-63Hz
EFFICIENCY (TYP.):	91%@120VAC / 92%@227VAC
THD:	THD<15%(@100% LOAD)
POWER FACTOR (TYP.):	0.99@120VAC / 0.98@277VAC
AC CURRENT:	2.97A
INRUSH CURRENT (TYP.):	35A
CURRENT LEAKAGE:	<0.5mA
SHORT CIRCUIT:	HICCUP MODE, RECOVERS AUTOMATICALLY AFTER FAULT CONDITION IS REMOVED
OVER LOAD:	INTELLIGENTLY REDUCE THE OUTPUT VOLTAGE, AUTO-RECOVERY OR RE-POWER ON
OVER TEMPERATURE:	100°C±10°C SHUT DOWN O/P VOLTAGE, AUTOMATICALLY RECOVER AFTER COOLING
WORKING TEMP:	TCASE=-40~+140°F (-40~+60°C)
WORKING HUMIDITY:	20~95% RH NON-CONDENSING
STORAGE TEMP HUMIDITY:	-40~+194°F (-40~+90°C), 10~95% RH
TEMP COEFFICIENT:	±0.03%/°C (0~50°C)
VIBRATION:	10~500Hz, 5G 10min./1 cycle, period for 60min
SAFETY STANDARDS:	UL8750, CAN/CSA-C22.2 No. 250.13, CLASS 2
WITHSTAND VOLTAGE:	I/P-O/P:1.88KVAC
ISOLATION RESISTANCE:	I/P-O/P:100MΩ / 500VDC / 25°C / 70% RH
EMC EMISSION:	FCC 47 CFR Part 15, Subpart B

WIRING DIAGRAMS

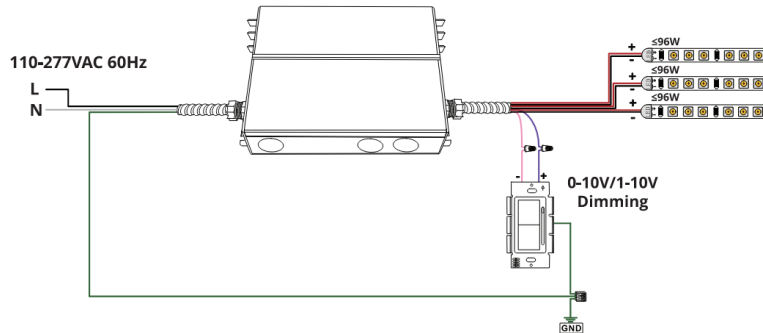
MLV TRIAC DIMMING



ELV DIMMING



0-10V / 1-10V DIMMING (The Driver is Independantly Connected to the Input)



0-10V / 1-10V DIMMING (The Driver Input is Connected to the Dimmer)

