

Project Name:	Type:
Product Code:	Date:

VANILLA 5CH 100W24V DMX DRIVER



5CH 100W 24V DMX Driver

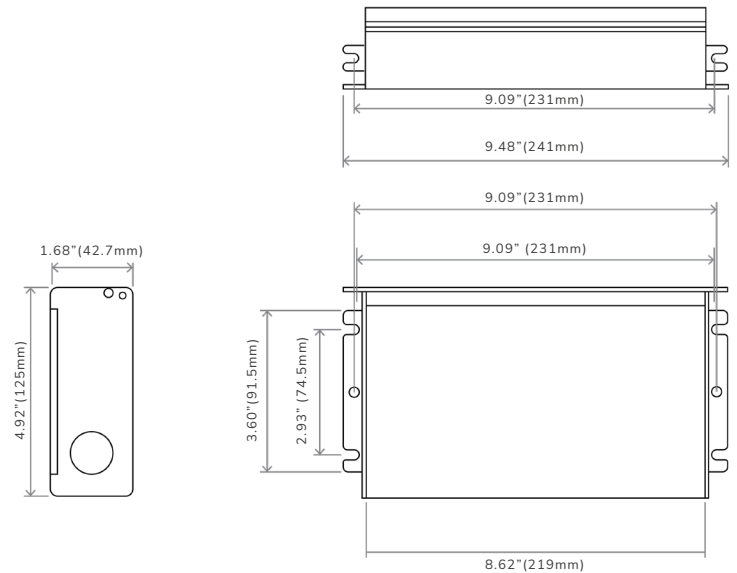
The Vanilla 5CH 100W 24V DMX Driver operates on constant voltage and is engineered for DMX to PWM applications. It provides 5 channel output with a dimming range from 0.1%-100%. Addressing is facilitated through a built-in active PFC spot using an App or a hand held RDM device.

PERFORMANCE

	DMX - PWM 5 CHANNEL LED DRIVER
	100W 5CH 20W MAX PER CHANNEL
VOLTAGE:	100-277VAC
CONTROL RANGE:	0.1-100% (50-60 Hz)
OUTPUT:	24V CONSTANT VOLTAGE
CLASS:	CLASS 2 CLASS P
ADDRESSING:	NFC DMX WIRELESS addressing: ProNFC app, NFC Handheld Devices
OUTPUT FREQ:	4 KHz
PROTOCOL INPUT:	DMX
STANDARD:	UL8750, CLASS 2
WORKING TEMP:	-40~+122°F (-40~+50°C)

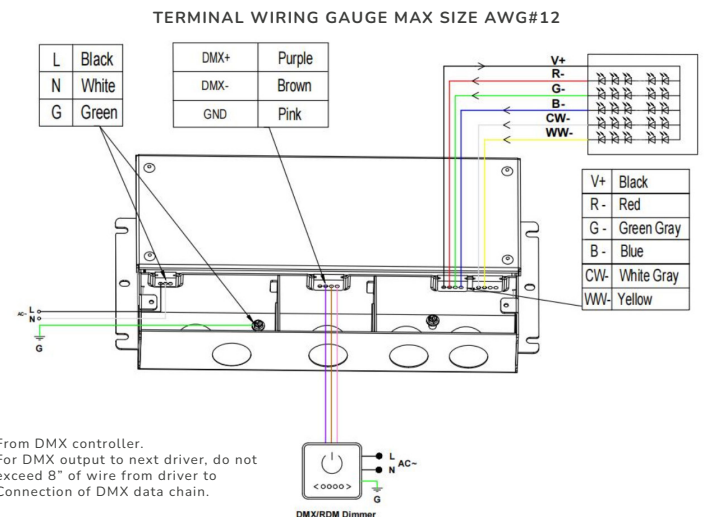
KEY DIMENSIONS

Length: 9.49" (241mm) Width: 4.92" (125mm) Height: 1.68" (42.7mm)



3" of space is required in between all drivers to allow for proper air flow for cooling. Less than 3" of space may damage the driver and void the warranty.

WIRING DIAGRAM - max 70FT wire length - NO HOT START



DMX512 address setting Operation

1. Default factory address is DMX 001, other channel addresses are sequential.
2. Address settings device:



Address settings

1. RDM setting address: Using RDM for addressing. Set the address by the RDM device. For detailed operation, please refer to RDM device instruction manual.
2. NFC setting address: Using NFC for addressing. The DMX address can be read and written by a mobile device with the Pro NFC App or NFC handheld devices (NFC read and write device: NFC-RW) and must be within 8" of the NFC signal receiver on the back of the driver.

ORDER INFORMATION

Order Code

MAKE	MODEL
VAN	DVR 5CH100W24 DMX

TECHNICAL SPECIFICATIONS

5CH 100W 24V DMX

CERTIFICATION:	UL / FCC / CLASS P / CLASS 2 / TYPE HL / SELV / ROHS / REACH		
DC VOLTAGE:	24V		
NET WEIGHT:	1.7KG		
VOLTAGE TOLERANCE:	±2%		
VOLTAGE REGULATION:	±0.5%		
RATED CURRENT:	5CH*0.83A		
RATED POWER:	100W		
LOAD REGULATION:	1%		
VOLTAGE RANGE:	100-277VAC		
FREQUENCY RANGE:	50 / 60 Hz		
POWER FACTOR @ FULL LOAD:	>0.9		
THD(Typ.)@ FULL LOAD:	<10%@120VAC <15%@277VAC		
EFFICIENCY @ FULL LOAD:	>88%@120VAC 89%@277VAC		
AC CURRENT (Max.):	1.2A		
STANDBY POWER:	<0.5W		
INRUSH CURRENT (Typ.):	53.7A, 47us@50%120VAC 124A, 108us@50%277VAC		
LEAKAGE CURRENT:	<0.5mA		
SHORT CIRCUIT:	Ground fault protection, resets after fault condition is resolved		
OVER LOAD:	105%~110% Overload protection, resets after over load condition is resolved		
OVER TEMPERATURE:	When the ambient temperature exceeds 50°C±5°C, thermal protector is tripped		
WORKING TEMP.:	-40~+50°C		
WORKING HUMIDITY:	20-95%RH NON-CONDENSING		
TEMP.COEFFICIENT:	±0.03%/°C(0-50°C)		
SAFETY STANDARDS:	UL8750; CAN/CSA-C22.2 No.250.13		
WITHSTAND VOLTAGE:	I/P-O/P: 1.88KVAC	I/P-F/G:1.88KVAC	O/P-F/G:0.5KVAC (US)
ISOLATION RESISTANCE:	I/P-O/P: 100M Ω / 500VDC / 25°C / 70%RH		
EMC EMISSION:	FCC Part 15 Subpart B; ANSI C63.4a-2017		